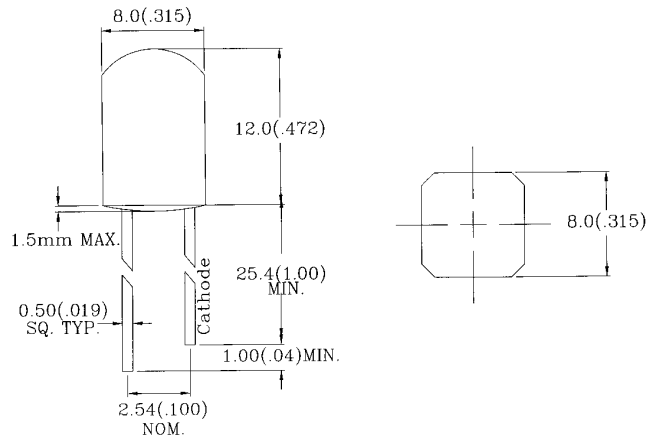
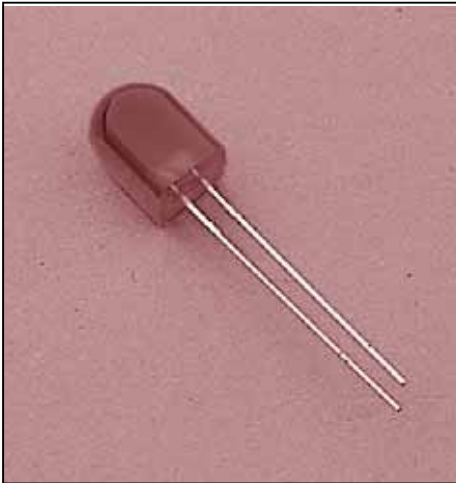
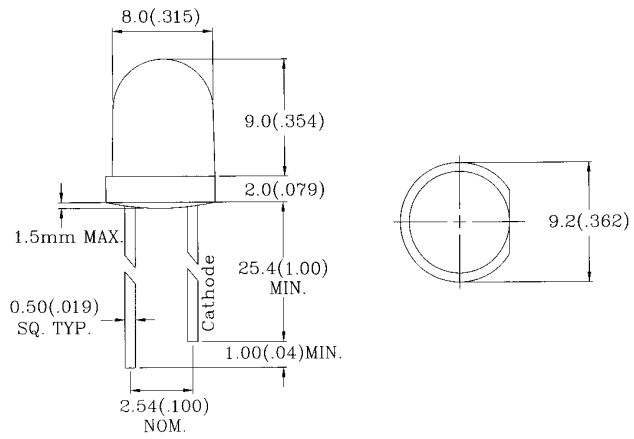
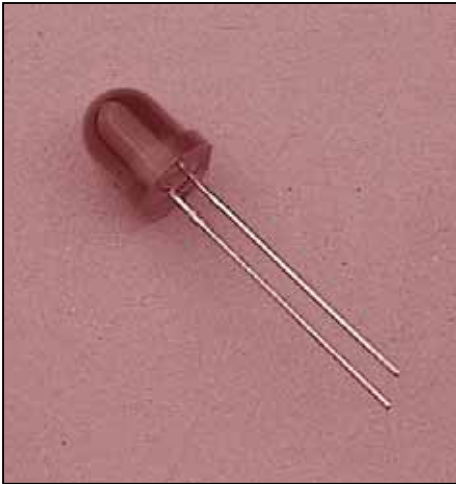


**L-803XX** 8.0x8.0 mm RECTANGULAR ROUND HEAD LED LAMP



Part No.	Chip		Lens Color	Wave Length $\lambda$ p(nm)	Electro-Optical Characteristics			View Angle (deg)
	Raw Material	Emitted Color			Vf(V)20mA		lv(mcd)20mA	
					Typ.	Max.	Typ.	
L-803HD	GaP	Red	Red Diffused	700	2.3	2.8	4.0	150
L-803GD	GaP	Green	Green Diffused	565	2.2	2.8	10.0	150
L-803YD	GaAsP/GaP	Yellow	Yellow Diffused	585	2.1	2.8	9.0	150
L-803ED	GaAsP/GaP	Hi. effi Red	Red Diffused	635	2.1	2.8	18.0	150
L-803SRD	GaAlAs	Super Red	Red Diffused	660	1.8	2.2	25.0	150

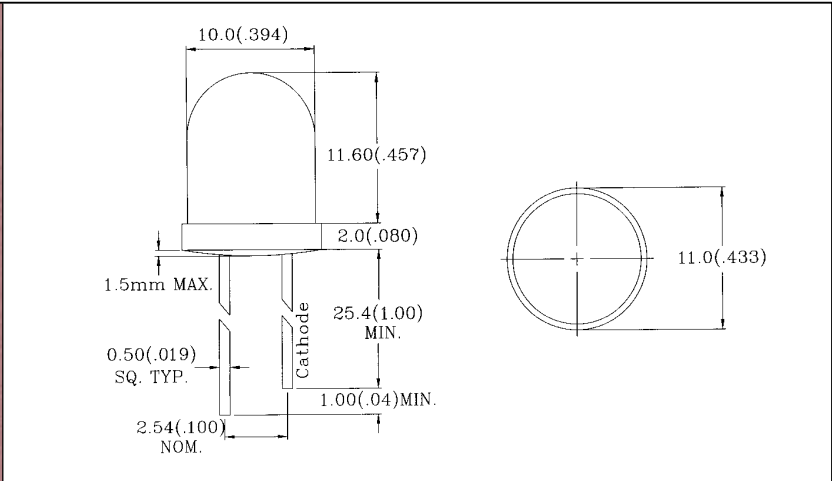
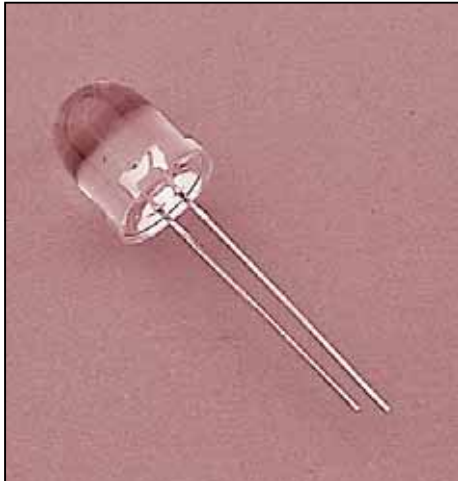
**L-813XX** 8.0 mm Dia LED LAMP



Part No.	Chip		Lens Color	Wave Length $\lambda$ p(nm)	Electro-Optical Characteristics			View Angle (deg)
	Raw Material	Emitted Color			Vf(V)20mA		lv(mcd)20mA	
					Typ.	Max.	Typ.	
L-813HD	GaP	Red	Red Diffused	700	2.3	2.8	4.0	150
L-813GD	GaP	Green	Green Diffused	565	2.2	2.8	10.0	150
L-813YD	GaAsP/GaP	Yellow	Yellow Diffused	585	2.1	2.8	9.0	150
L-813ED	GaAsP/GaP	Hi. effi Red	Red Diffused	635	2.1	2.8	18.0	150
L-813SRD	GaAlAs	Super Red	Red Diffused	660	1.8	2.2	25.0	150

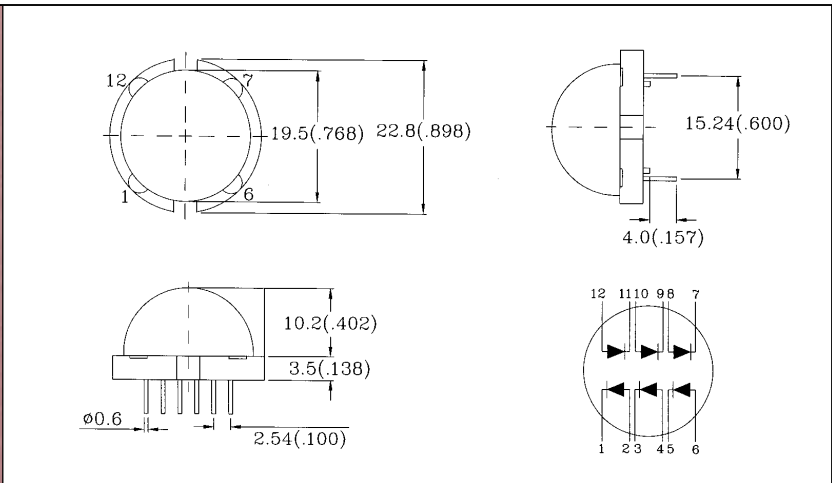
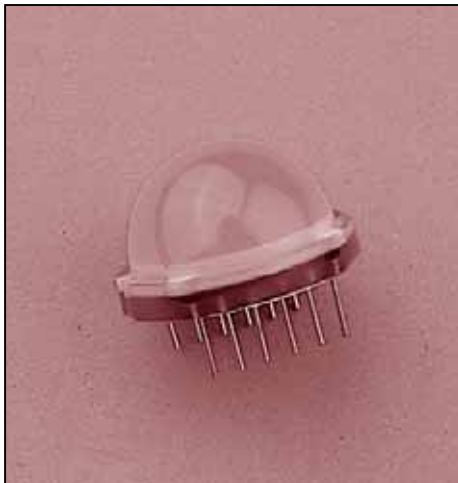
- 1.All dimension are in millimeters (inches).
- 2.Tolerance is  $\pm 0.25$  mm (0.01") unless otherwise specified.

**L-833XX 10.0 mm Dia LED LAMP**



Part No.	Chip		Lens Color	Wave Length $\lambda$ p(nm)	Electro-Optical Characteristics			View Angle (deg)
	Raw Material	Emitted Color			Vf(V)20mA		lv(mcd)20mA	
					Typ.	Max.	Typ.	
L-833HD	GaP	Red	Red Diffused	700	2.3	2.8	4.0	150
L-833GD	GaP	Green	Green Diffused	565	2.2	2.8	10.0	150
L-833YD	GaAsP/GaP	Yellow	Yellow Diffused	585	2.1	2.8	9.0	150
L-833ED	GaAsP/GaP	Hi. effi Red	Red Diffused	635	2.1	2.8	18.0	150
L-833SRD	GaAlAs	Super Red	Red Diffused	660	1.8	2.2	25.0	150

**L-873XX 20.0 mm Dia BIG LED LAMP**



Part No.	Chip		Lens Color	Wave Length $\lambda$ p(nm)	Electro-Optical Characteristics			View Angle (deg)
	Raw Material	Emitted Color			Vf(V)20mA		lv(mcd)20mA	
					Typ.	Max.	Typ.	
L-873HD	GaP	Red	Red Diffused	700	2.3	2.8	10.0	120
L-873GD	GaP	Green	Green Diffused	565	2.2	2.8	20.0	120
L-873YD	GaAsP/GaP	Yellow	Yellow Diffused	585	2.1	2.8	20.0	120
L-873ED	GaAsP/GaP	Hi. effi Red	Red Diffused	635	2.1	2.8	25.0	120
L-873SRD	GaAlAs	Super Red	Red Diffused	660	1.8	2.2	100	120

- 1.All dimension are in millimeters (inches).
- 2.Tolerance is  $\pm 0.25$  mm (0.01") unless otherwise specified.