



CONTACT US

PARA LIGHT ELECTRONICS CO., LTD.

🏠 11F, No. 8, Jiankang Rd., Zhonghe Dist., New Taipei City 23586, Taiwan

✉ para@para.com.tw

☎ T +886-2-2225-3733 F +886-2-2225-4800

🌐 www.para.com.tw

2022 Holder | Component



Chairman Mr. David Ma
 Established in 1987
 Capital USD 37million
 No. of Employee 1028

Founded in 1987, PARA LIGHT is now a global innovator and leader in visible and invisible LED fields. With two manufacturing plants certified with ISO 14001, ISO 9001, TS16969, and also complies with REACH and RoHS.

We offer advanced and beyond expectation R&D services based on the strongest lineup ever of 1,028 employees located in different countries and cities that includes more than 70 professional engineers, and 80 Quality Assurance squad.

About the product category, from the elementary LED component to further appliance such as UV sensor, LED back light, integrated light module, commercial lighting, automotive lighting and any lighting solution, PARA LIGHT keeps growing and expanding the products diversity in response to the global industry or market trend.

Single Level



3 mm	07-08
LHA143 (Single Color)	
LH31F (Dual Color)	
LH31C (Single Color, Dual Color)	
5 mm	08-09
LH511 (Dual Color)	
LH51F (Single Color)	
LH512 (Single Color)	
LH513 (Single Color)	

Dual Level



3 mm	11
LH32K (Single Color, Dual Color)	
LH32F (Dual Color)	
5 mm	12
LH523 (Single Color)	

Tri Level



3 mm	15
LH33C (Dual Color)	

Qual Level



Penta Level



Hexa Level



Octa and More Level



3 mm

LH34A (Single Color, Dual Color)
LH34D (Dual Color)

17

3 mm

LH35A (Dual Color)

19

3 mm

LH36A (Single Color, Dual color)

21

3 mm

LH385 (Dual color)
LH3G (Dual color)

23



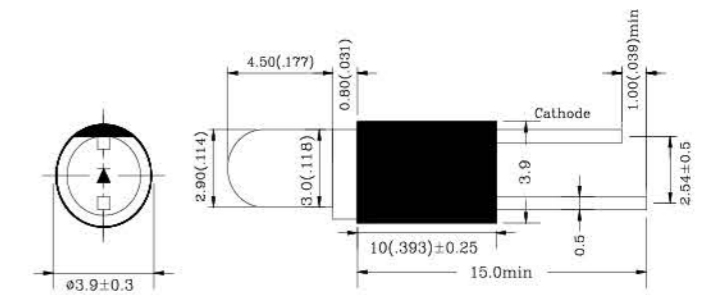
Single Level

- IoT indication
- Computing server
- Hi-Fi system
- Uninterruptible power system



LHA143 Holder Series

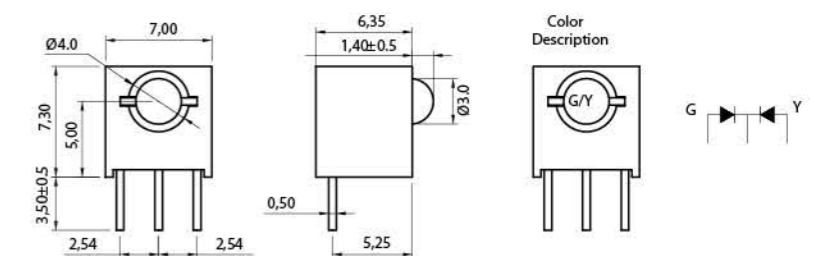
Outline Dimensions 3 mm



Part No.	LED Lamp	Color	Wavelength λ_d (nm)/ CIE (x,y)	Resin Type	Typ. Luminous Intensity I_v (mcd)	Viewing Angle (deg.)	Typ. Forward Voltage V_F (V)	Forward Current I_F (mA)
LHA14313	A=L3X4GD	Yellow Green	572	Green Diffused	20	60	2.2	30
LHA14314	A=L3X4YD	Yellow	587	Yellow Diffused	25	60	2.2	30
LHA14315	A=L3X4HD	Red	700	Red Diffused	1.8	60	2.0	30

LH31F Holder Series

Outline Dimensions 3 mm

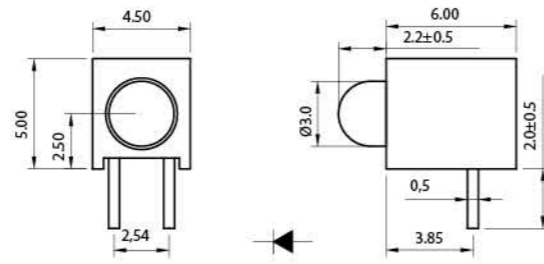


Part No.	LED Lamp	Color	Wavelength λ_d (nm)/ CIE (x,y)	Resin Type	Typ. Luminous Intensity I_v (mcd)	Viewing Angle (deg.)	Typ. Forward Voltage V_F (V)
LH31F103E	A=L359GYW	Yellow Yellow Green	586 570	White Diffused	10 4	60	2.1 2.2
LH31F104E	A=L359EGW	Orange Yellow Green	628 568	White Diffused	18 14	100	2.1 2.2

LH31C Holder Series



Outline Dimensions 3 mm

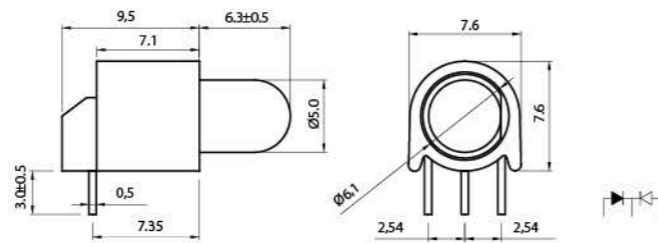


Part No.	LED Lamp	Color	Wavelength λ_d (nm)/ CIE (x,y)	Resin Type	Typ. Luminous Intensity I_v (mcd)	Viewing Angle (deg.)	Typ. Forward Voltage V_f (V)
LH31C015P	A=L-354UB5D	Blue	465	Blue Diffused	200	70	3
LH31C016P	A=L-304UP5D	Purple	(0.19, 0.06)	Purple Diffused	450	40	2.9
LH31C017P	A=L-357EGW	Orange Yellow Green	628 568	White Diffused	12 15	120	2.1

LH511 Holder Series



Outline Dimensions 5 mm

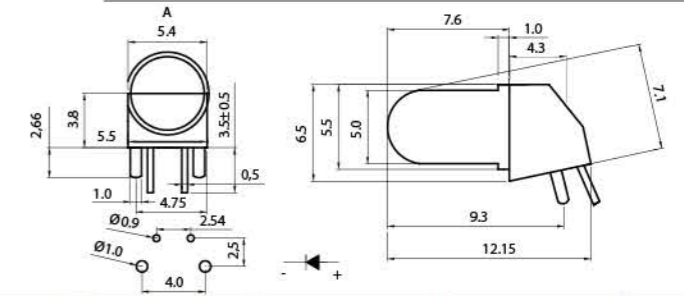


Part No.	LED Lamp	Color	Wavelength λ_d (nm)/ CIE (x,y)	Resin Type	Typ. Luminous Intensity I_v (mcd)	Viewing Angle (deg.)	Typ. Forward Voltage V_f (V)
LH511007B	A=L-519SRGW	Red Yellow Green	643 570	White Diffused	30 20	150	1.8 2.2
LH511006B	A=L-519EGW	Orange Yellow Green	622 570	White Diffused	30 20	150	2.1 2.2
LH511005B	A=L-519GYW	Yellow Yellow Green	587 568	White Diffused	25 30	150	2.1 2.2

LH51L Holder Series



Outline Dimensions 5 mm

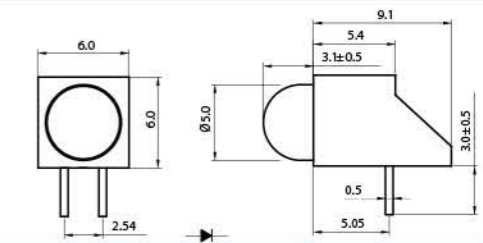


Part No.	LED Lamp	Color	Wavelength λ_d (nm)/ CIE (x,y)	Resin Type	Typ. Luminous Intensity I_v (mcd)	Viewing Angle (deg.)	Typ. Forward Voltage V_f (V)
LH51L152E	A=LQR5VYC341G	Yellow	593	Water Clear	7000	30	2
LH51L151E	A=LQR5UW5C340G	White	(0.32, 0.33)	Water Clear	5700	55	2.8

LH512 Holder Series



Outline Dimensions 5 mm

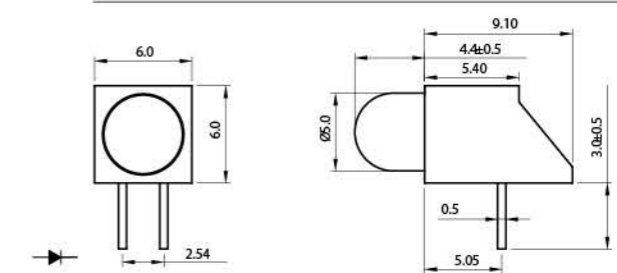


Part No.	LED Lamp	Color	Wavelength λ_d (nm)/ CIE (x,y)	Resin Type	Typ. Luminous Intensity I_v (mcd)	Viewing Angle (deg.)	Typ. Forward Voltage V_f (V)
LH512005B	A=L-503GD	Yellow Green	570	Green Diffused	25	80	2.1
LH512006B	A=L-503YD	Yellow	587	Yellow Diffused	5	80	2.1
LH512007B	A=L-503HD	Red	650	Red Diffused	5	80	2.1
LH512008B	A=L-503ED	Orange	628	Red Diffused	20	80	2

LH513 Holder Series



Outline Dimensions 5 mm



Part No.	LED Lamp	Color	Wavelength λ_d (nm)/ CIE (x,y)	Resin Type	Typ. Luminous Intensity I_v (mcd)	Viewing Angle (deg.)	Typ. Forward Voltage V_f (V)
LH513005B	A=L-523GD	Yellow Green	568	Green Diffused	20	80	1.9
LH513006B	A=L-523YD	Yellow	587	Yellow Diffused	20	80	2.1
LH513008B	A=L-523ED	Orange	628	Red Diffused	10	80	1.9
LH513009B	A=L-523SRD	Red	640	Red Diffused	20	80	1.9



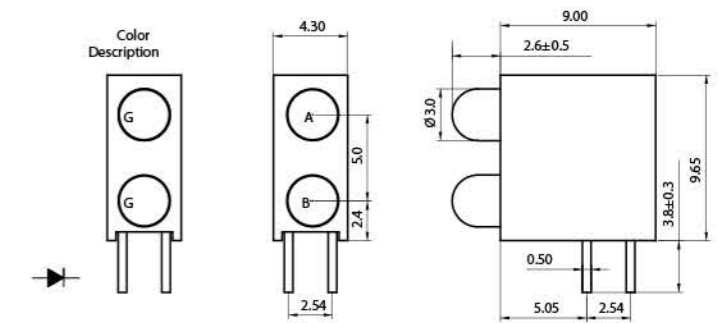
Dual Level

- IoT indication
- Computing server
- Hi-Fi system
- Uninterruptible power system



LH32K Holder Series

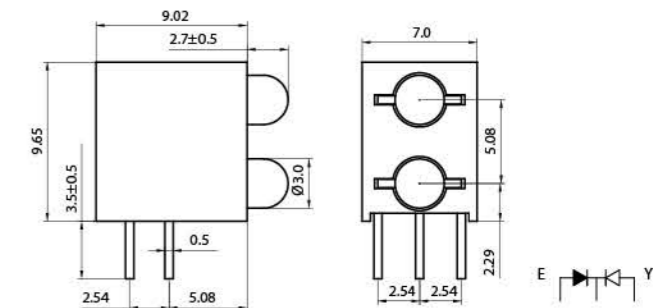
Outline Dimensions 3 mm



Part No.	LED Lamp	Color	Wavelength λ_d (nm)/ CIE (x,y)	Resin Type	Typ. Luminous Intensity I_v (mcd)	Viewing Angle (deg.)	Typ. Forward Voltage V_f (V)
LH32K036F	A=B= L3524GD	Yellow Green	570	Green Diffused	10	60	1.9
LH32K046F	A=B= L3524ED	Orange	628	Red Diffused	30	50	1.9
LH32K047F	A= L3524ED B= L3524LY1D	Orange Yellow	628 587	Red Diffused Yellow Diffused	30 15	50	1.9
LH32K048F	A= L3524ED B= L3524GD	Orange Yellow Green	628 570	Red Diffused Green Diffused	30 15	50	1.9

LH32F Holder Series

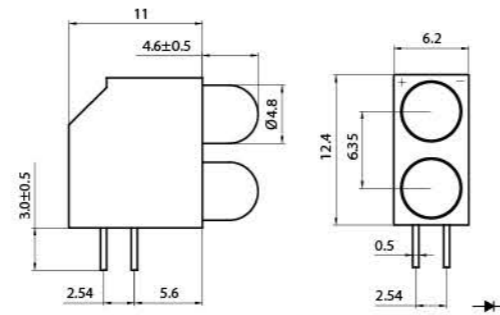
Outline Dimensions 3 mm



Part No.	LED Lamp	Color	Wavelength λ_d (nm)/ CIE (x,y)	Resin Type	Typ. Luminous Intensity I_v (mcd)	Viewing Angle (deg.)	Typ. Forward Voltage V_f (V)
LH32F023E	A=L359LR1UB5C B=0	Orange Blue	630 470	Water Clear	100 240	150	1.9 3
LH32F024E	A=B= L359EYW	Orange Yellow	628 587	White Diffused	30 28	80	1.9 1.9
H329201E	A=B=L359EGW	Orange Green	628 568	White Diffused	22 20	80	2 2.1

LH523 Holder Series

Outline Dimensions 5 mm



Part No.	LED Lamp	Color	Wavelength λ_d (nm)/ CIE (x,y)	Resin Type	Typ. Luminous Intensity I_v (mcd)	Viewing Angle (deg.)	Typ. Forward Voltage V_f (V)
LH523005B	A=B= L-523GD	Yellow Green	568	Green Diffused	18	80	1.9
LH523006B	A=B= L-523YD	Yellow	587	Yellow Diffused	18	80	2.1





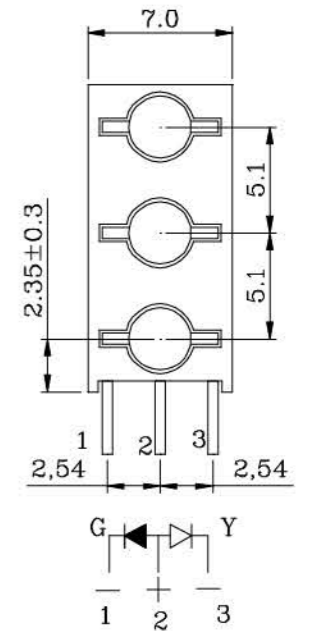
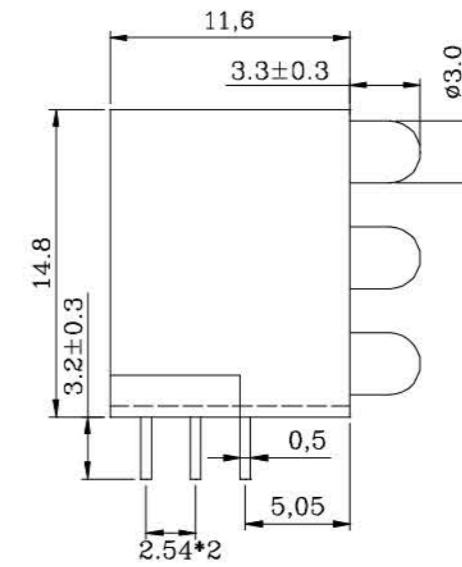
Tri Level

- IoT indication
- Computing server
- Hi-Fi system
- Uninterruptible power system



LH33C Holder Series

Outline Dimensions 3 mm



Part No.	LED Lamp	Color	Wavelength λ_d (nm)/ CIE (x,y)	Resin Type	Typ. Luminous Intensity I_v (mcd)	Viewing Angle (deg.)	Typ. Forward Voltage V_f (V)
LH33C204D-HTS	A=B=C=L329YGW	Yellow Yellow Green	587 570	White Diffused	8 5	80	2.0
LH33C203D-HTS	A=B=C=L329EGW	Red Green	32 30	White Diffused	12 8	80	2.0



Qual Level

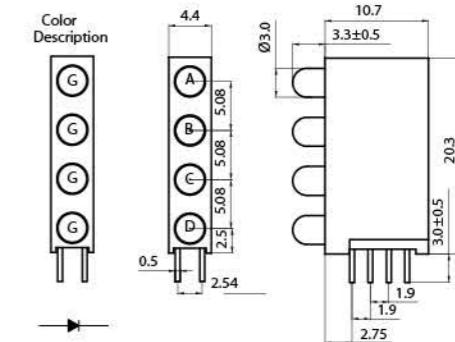
- IoT indication
- Computing server
- Hi-Fi system
- Uninterruptible power system



LH34A Holder Series



Outline Dimensions 3 mm

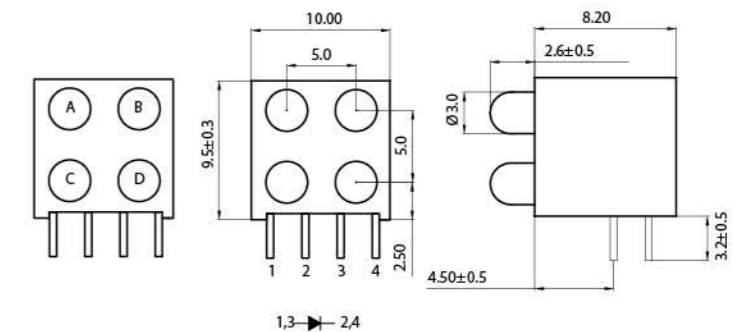


Part No.	LED Lamp	Color	Wavelength λ_d (nm)/ CIE (x,y)	Resin Type	Typ. Luminous Intensity I_v (mcd)	Viewing Angle (deg.)	Typ. Forward Voltage V_f (V)
LH34A006E	A=B=C=D=L3541GD	Green	568	Green Diffused	30	80	2.1
LH34A007E	A=L3541GD B=C=D=0	Green	568	Green Diffused	20	80	2.1
LH34A032E	A=B=C=D=LGR3E018	Orange	628	Red Diffused	30	60	2.1
LH34A036E	A=C=L3541GD B=D=L3541YD	Yellow Green	587 568	Yellow Diffused Green Diffused	50 60	60	2.2

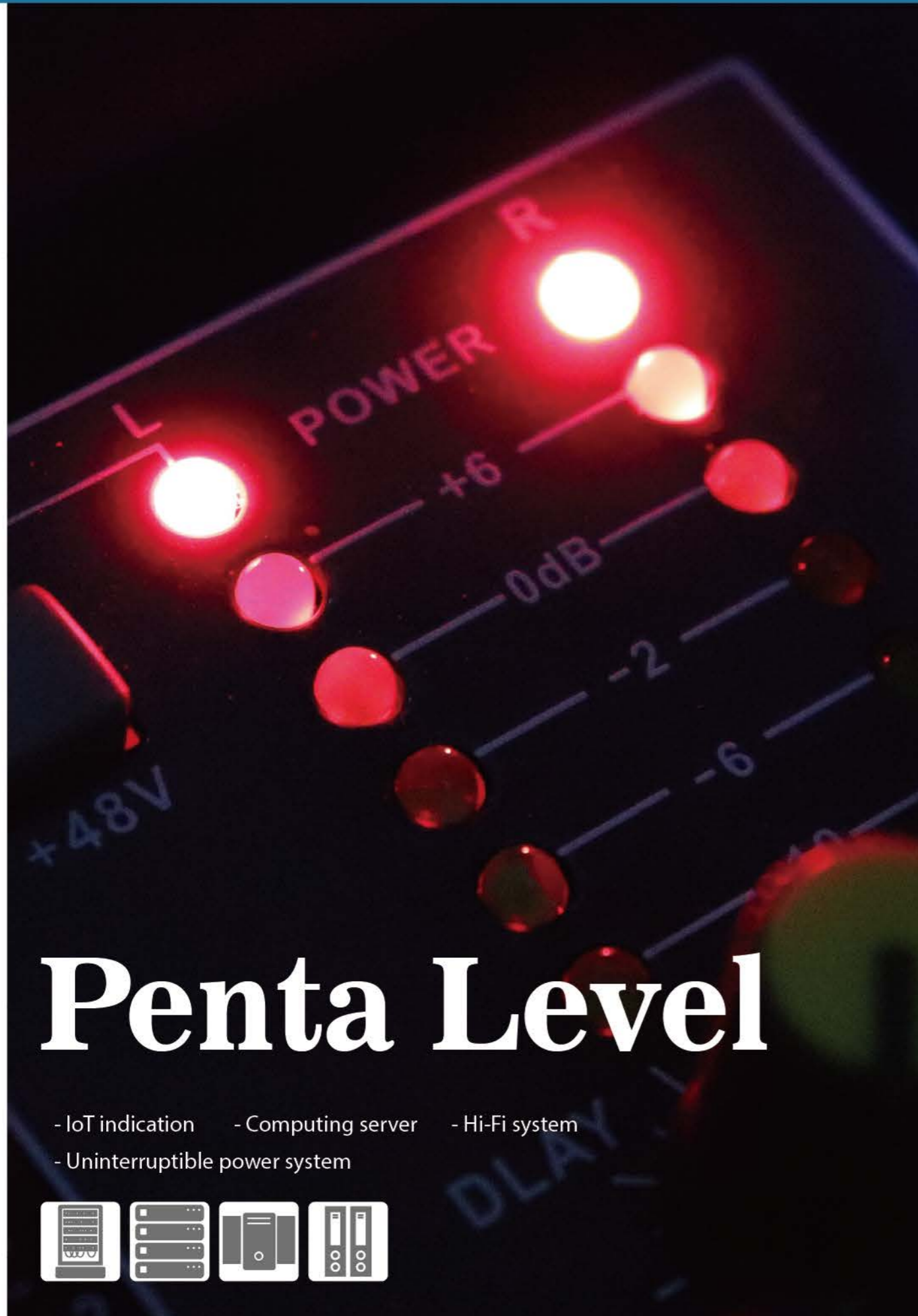
LH34D Holder Series



Outline Dimensions 3 mm

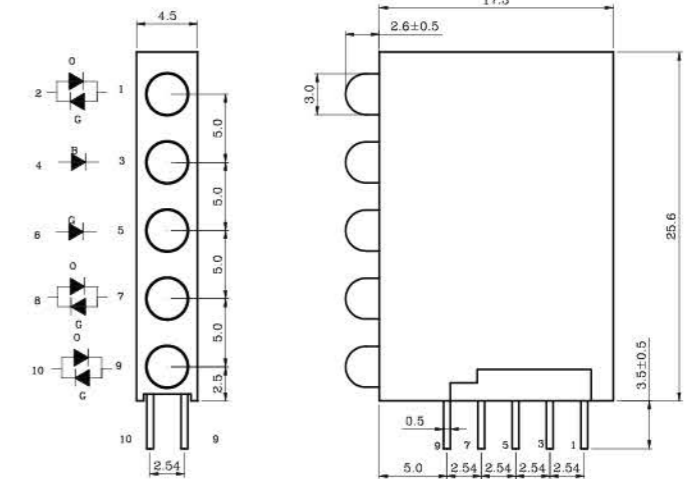


Part No.	LED Lamp	Color	Wavelength λ_d (nm)/ CIE (x,y)	Resin Type	Typ. Luminous Intensity I_v (mcd)	Viewing Angle (deg.)	Typ. Forward Voltage V_f (V)
LH34D201C	A=B=C=L324GD D=L324YD	Yellow Green Yellow	570 589	White Diffused	20	60	2 2.1
LH34D202C	A=L324YD B=D=L324GD C=L324SRD	Yellow Yellow Green Red	589 570 640	Yellow Diffused Green Diffused Red Diffused	20	60	2 2 2.1



LH35A Holder Series

Outline Dimensions 3 mm



Part No.	LED Lamp	Color	Wavelength λ_d (nm)/ CIE (x,y)	Resin Type	Typ. Luminous Intensity I_v (mcd)	Viewing Angle (deg.)	Typ. Forward Voltage V_F (V)	Forward Current I_F (mA)
LH35A005E	A=L327LES LPG6W	Orange	605	White Diffused	200	70	2.0	30
	B=L3243UB5C		525					
	C=L324LPG6D	Green						
	D=E=L324LES LPG6W							



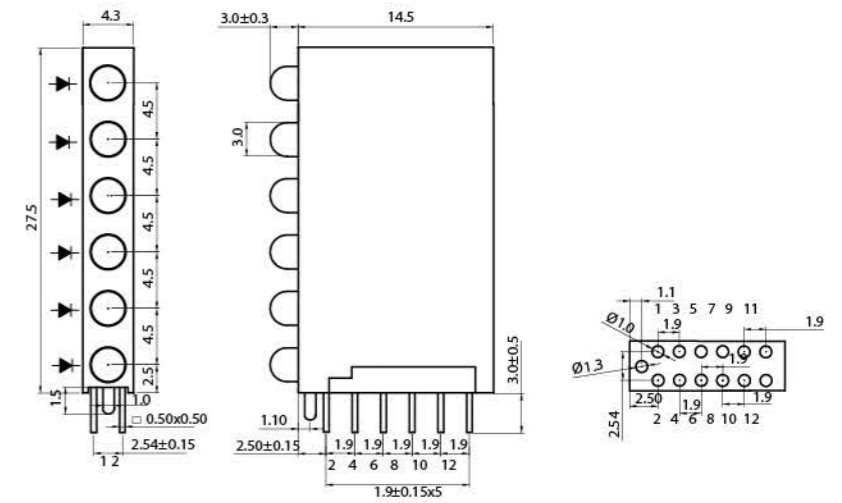
Hexa Level

- IoT indication
- Computing server
- Hi-Fi system
- Uninterruptible power system

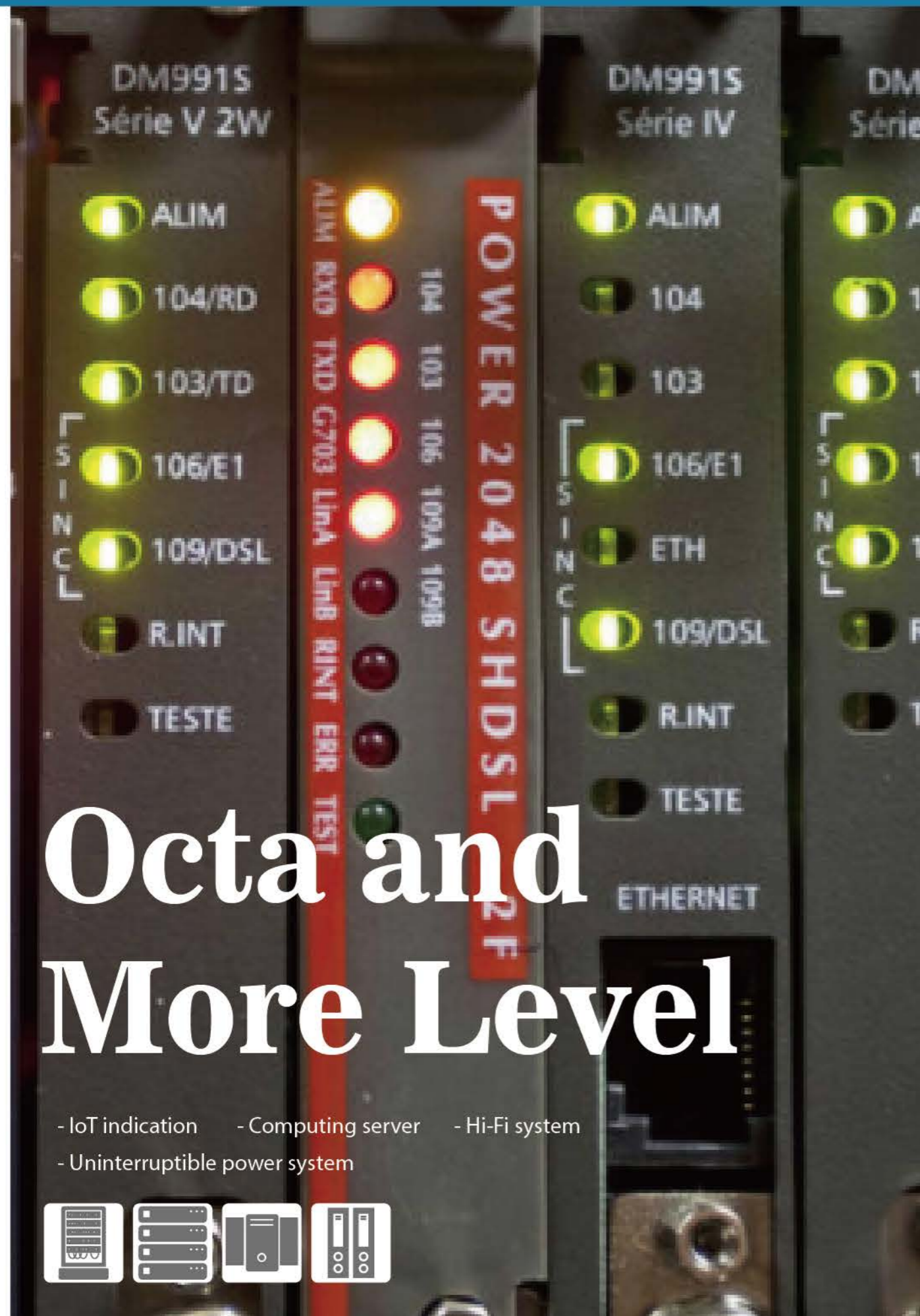


LH36A Holder Series

Outline Dimensions 3 mm



Part No.	LED Lamp	Color	Wavelength λ_d (nm)/ CIE (x,y)	Resin Type	Typ. Luminous Intensity I_v (mcd)	Viewing Angle (deg.)	Typ. Forward Voltage V_f (V)
LH36A100B	A=L3543GD	Yellow Green	570	Green Diffused	10	80	1.9
LH36A101B	A=L3541ED A=L3543GD	Orange Yellow Green	633 570		10 10	80	1.8 1.9

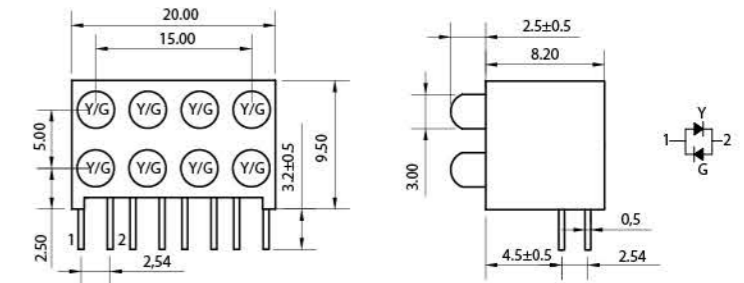


Octa and More Level

- IoT indication
- Computing server
- Hi-Fi system
- Uninterruptible power system

LH385 Holder Series

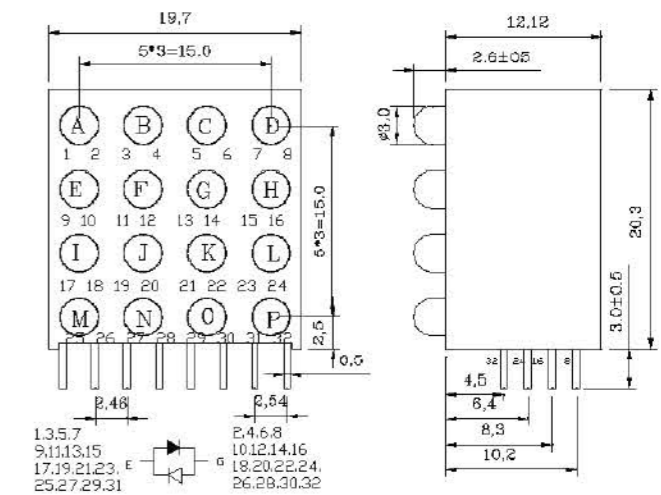
Outline Dimensions 3 mm



Part No.	LED Lamp	Color	Wavelength λ_d (nm)/ CIE (x,y)	Resin Type	Typ. Luminous Intensity I_v (mcd)	Viewing Angle (deg.)	Typ. Forward Voltage V_f (V)
LH385002C	A= L327GYW	● Yellow Green	570	White Diffused	18	70	2
		● Yellow	587		15		2.2

LH3G Holder Series

Outline Dimensions 3 mm



Part No.	LED Lamp	Color	Wavelength λ_d (nm)/ CIE (x,y)	Resin Type	Typ. Luminous Intensity I_v (mcd)	Viewing Angle (deg.)	Typ. Forward Voltage V_f (V)
LH3G1009B	A~P= L327LESVG4W	● Amber	605	White Diffused	150	2.1	30
		● Green	570		80		



► Headquarters

光鼎電子股份有限公司
Para Light Electronics Co., Ltd.

新北市中和區建康路8號11樓
11F, No. 8, Jiankang Rd., Zhonghe Dist. New Taipei City, 23586 Taiwan
T+886-2-2225-3733
F+886-2-2225-4800
para@para.com.tw
www.para.com.tw

► Factory

連雲港光鼎電子有限公司
Para Light Lianyungang Electronics Co., Ltd.

中國江蘇省連雲港市灌南線經濟開發區威海路8號
No.8, Wei Hai Rd., Guannan Economics Deveopment Zone,
Lianyungang City, Jiangsu Province, 223500, China
T+86-518-8369-2888
F+86-518-8369-2899
para@para.com.tw

南京華鼎電子有限公司
Para Light Nanjing Electronics Co., Ltd.

中國江蘇省南京市江寧區湯山街湯泉西路1號
No.1, Tanguan W. Rd., Tangshan Ave., Jianning Dist. Nanjing City,
Jiansu Province, 211131 China
T+86-25-8410-7685
F+86-25-8410-7684

緬甸光鼎電子有限公司(仰光)
Para Light Yangon Electronics Co., Ltd. (Myanmar)

No. 212, Pyin Si Minthar Gyi Street, Shwe Lin Ban Industry,
Hlaing Thar Yar Township, Yangon, Myanmar
T+95-9776964540
susie@parahk.com
www.para.com.tw

► America

美國光鼎分公司
Para Light Corp. USA

515 Spanish Lane, Suite B, Walnut, CA 91789
T+909-468-4866
F+909-468-4876
sales@paralightusa.com
www.paralightusa.com

► India

印度光鼎分公司
Para Light India Pvt. Ltd.

No.979, 9th Floor, Aggarwal Cyber Plaza-2,
Netaji Subhash Place, Pitampura, New Delhi- 110034, India
T+011-41086226
abhinav.jha@para.com.tw

► Greater China-Sales Team

North China : Beijing, Qingdao
East China : Shanghai, Ningbo, Suzhou, Nanjing, Hefei, Wuhan, Zhengzhou
South: Shenzhen, Xiamen, Jiangmen
Central: Chengdu

蘇州光鼎電子有限公司 East China
Para Light (SUZHOU) Electronics Co., Ltd.

蘇州新區獅山路199號新地中心2104室
Room 2104, Xindi Center Building, No.199, Shishan Road
Suzhou City, Jiangsu Province, 215011 China
T+86-133-6527-0527
F+86-512-6809-7669
jeremy@para-lyg.com.cn

光鼎深圳實業有限公司 South China
Para Light (SHENZHEN) Electronics Co., Ltd.

中國深圳市龍華區龍觀東路57號尚美時代大廈1310-1312室
Room 1310-1312, Shangmei Times Building, No.57,
Longguan East Road, Longhua Dist., Shenzhen City,
Guangdong Province, 518110 China
T+86-189-2747-1103
eddy@paralight.com.cn

青島光鼎電子有限公司
Para Light (QINGDAO) Electronics Co., Ltd.

山東省青島市市北區山東路168號時代國際廣場12樓1204室
Room 1204, 12th Floor, Times International Plaza,
No.168 Shandong Road, Shibei District, Qingdao City,
Shandong Province, 266000 China
T+0532-85692571 / 18626429477

光鼎北京辦事處 North China
Para Light (BEIJING) Sales Office

北京市海澱區清和中街橡樹灣二期
Qinghe street, oak bay Phase II building, Haiding District,
Beijing City, 100000 China
T+186-2642-9477 / 181-0107-7619
tianjin@paralight.com.cn

光鼎成都辦事處 Central China
Para Light (CHENGDU) Sales Office

四川省成都市金牛區金沙路169號-現代城1幢10層1008室
Room 1008, 10th Floor, No. 169 Xiandaicheng Building 1, Jinsha Road,
Jinniu District, Chengdu city, Sichuan Province, 610031 China
T+86-18360655305
yangfeiting@para-lyg.com.cn