

PARA LIGHT

LED Holder Circuit Board Indicator



PARA LIGHT ELECTRONICS CO., LTD.

11F, No. 8, Jiankang Rd., Zhonghe Dist., New Taipei City 23586, Taiwan

T +886-2-2225-3733 F +886-2-2225-4800 E para@para.com.tw

www.paralighttaiwan.com

Contents

Single Level	
3mm _____	5
5mm _____	7
Dual Level	
3mm _____	9
Tri Level	
3mm _____	12
Quad Level	
3mm _____	17
Hexa Level	
3mm _____	19
Octa Level	
3mm _____	21

Company Profile

- Established in 1987
- Chairman : Mr. David Ma
- Capital : USD 37million
- No. of Employee : 1028

Founded in 1987, PARA LIGHT is now a global innovator and leader in visible and invisible LED fields. With two manufacturing plants certified with ISO 14001, ISO 9001, TS16969, and also complies with REACH and RoHS.

We offer advanced and beyond expectation R&D services based on the strongest lineup ever of 1,028 employees located in different countries and cities that includes more than 70 professional engineers, and 80 Quality Assurance squad.

About the product category, from the elementary LED component to further appliance such as UV sensor, LED back light, integrated light module, commercial lighting, automotive lighting and any lighting solution, PARA LIGHT keeps growing and expanding the products diversity in response to the global industry or market trend.



Taiwan HQ



- 📍 11F, No. 8, Jiankang Rd., Zhonghe Dist. New Taipei City, 23586 Taiwan
- ☎ +886-2-2225-3733
- ☎ +886-2-2225-4800
- ✉ para@para.com.tw
- 🌐 www.paralighttaiwan.com

Lianyungang Plant



- 📍 No.8, Wei Hai Rd., Guannan Economics Deveopment Zone, Lianyungang City, Jiangsu Province, 222500, China
- ☎ +86-518-8369-2888
- ☎ +86-518-8369-2899
- ✉ para@para.com.tw

Nanjing Plant



- 📍 No.1, Tangquan W. Rd., Tangshan Ave., Jianning Dist. Nanjing City, Jiansu Province, 211131 China
- ☎ +86-25-8410-7685
- ☎ +86-25-8410-7684

USA Office



- 📍 515 Spanish Lane, Suite # A&B, Walnut, CA 91789, USA
- ☎ +1 (877) 377-PARA / +1 (909) 468-4866
- ✉ sales@paralightusa.com
- 🌐 www.paralightusa.com

Quality Certification



IATF16949



ISO9001



ISO14001

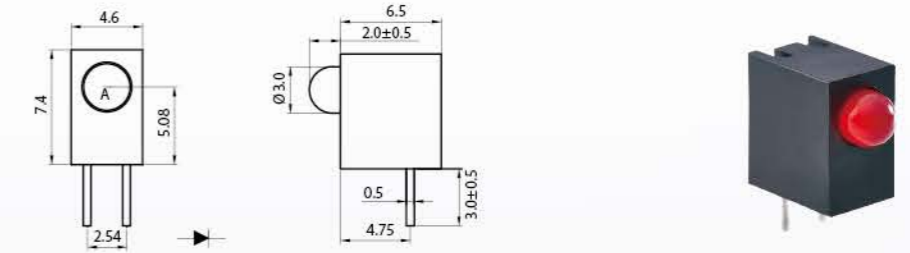


Single Level



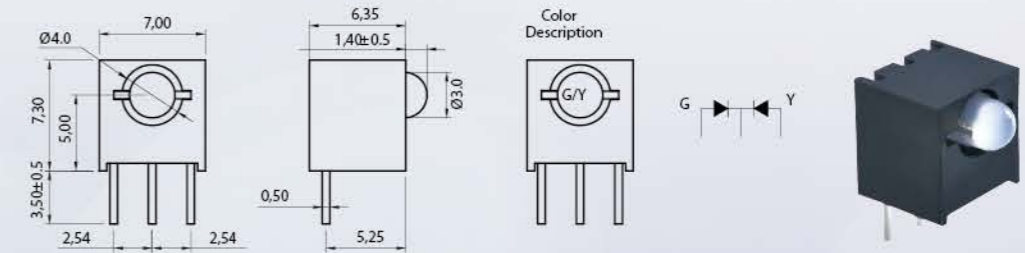
Application

- IoT indication
- Computing server
- Hi-Fi system
- Uninterruptible power system



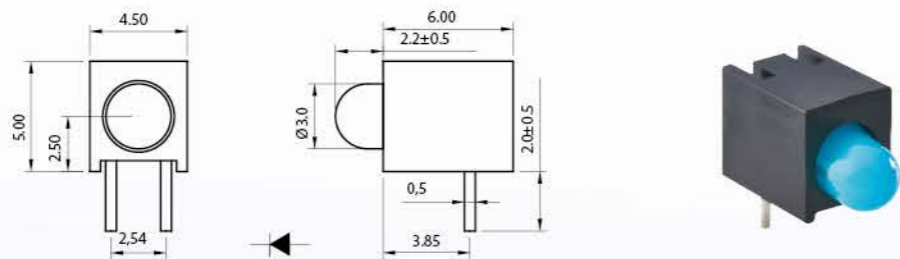
Holder LH311 Series
3 mm

Part No.	LED Lamp	Color	Wavelength λ_d (nm)/ CIE (x,y)	Resin Type	Typ. Luminous Intensity I_v (mcd)	Viewing Angle (deg.)	Typ. Forward Voltage V_f (V)	Forward Current I_f (mA)
L-H311005B	A=L-3524GD	Yellow Green	570	Green Diffused	18	60	2	20
L-H311006B	A=L-3524YD	Yellow	587	Yellow Diffused	15	60	2.1	20
L-H311007B	A=L-3524ED	Super Red	628	Red Diffused	18	60	1.9	20
L-H311008B	A=L-3524SRD	Hyper Red	640	Red Diffused	40	60	1.9	20



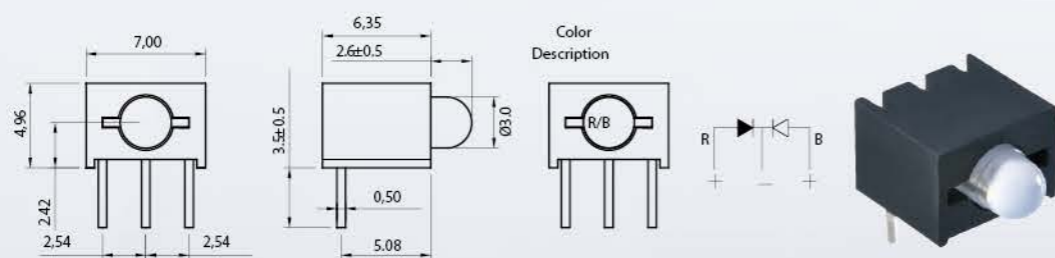
Holder LH31F Series
3 mm

Part No.	LED Lamp	Color	Wavelength λ_d (nm)/ CIE (x,y)	Resin Type	Typ. Luminous Intensity I_v (mcd)	Viewing Angle (deg.)	Typ. Forward Voltage V_f (V)	Forward Current I_f (mA)
L-H31F103E	A=L359GYW-AH-SS	Yellow Yellow Green	587 570	White Diffused	10 12	80	2.1 2	20
L-H31F104E-HT2S	A=L359EGW-AH-HT2S	Super Red Yellow Green	628 570	White Diffused	12 12	80	1.9 2	20



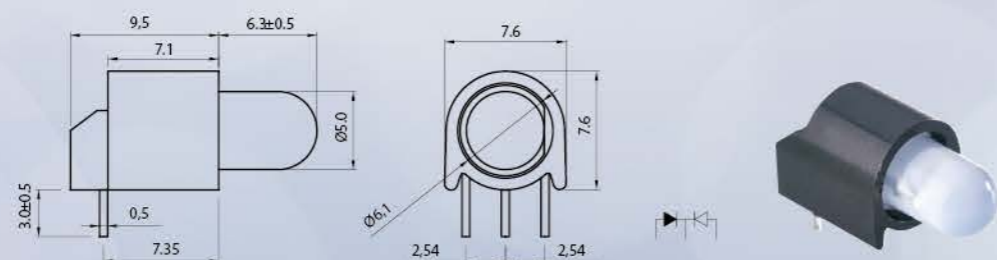
Holder LH31C Series
3 mm

Part No.	LED Lamp	Color	Wavelength λ_d (nm)/ CIE (x,y)	Resin Type	Typ. Luminous Intensity I_v (mcd)	Viewing Angle (deg.)	Typ. Forward Voltage V_F (V)	Forward Current I_F (mA)
LH31C015P	A=L-354UB5D	Blue	465	Blue Diffused	200	60	2	20
LH31C016P	A=L-304UP5D	Purple	(0.19, 0.06)	Purple Diffused	450	60	3	20
LH31C017P	A=L-357EGW	Super Red Yellow Green	628 570	White Diffused	12 12	120	1.9 2	20



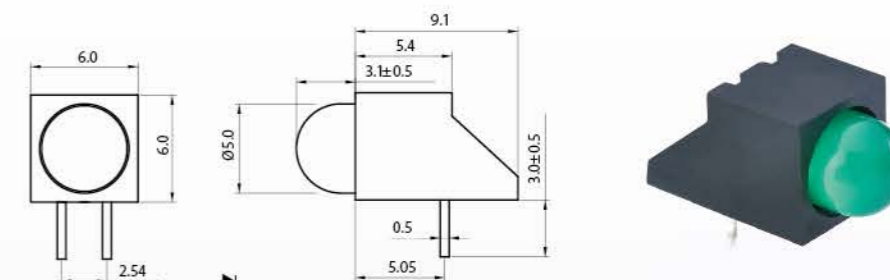
Holder LH31R Series
3 mm

Part No.	LED Lamp	Color	Wavelength λ_d (nm)/ CIE (x,y)	Resin Type	Typ. Luminous Intensity I (mcd)	Viewing Angle (deg.)	Typ. Forward Voltage V_F (V)	Forward Current I (mA)
LH31R120P	A=L-359VEUB5W	Super Red Blue	628 465	White Diffused	170 170	120	1.9 3	20



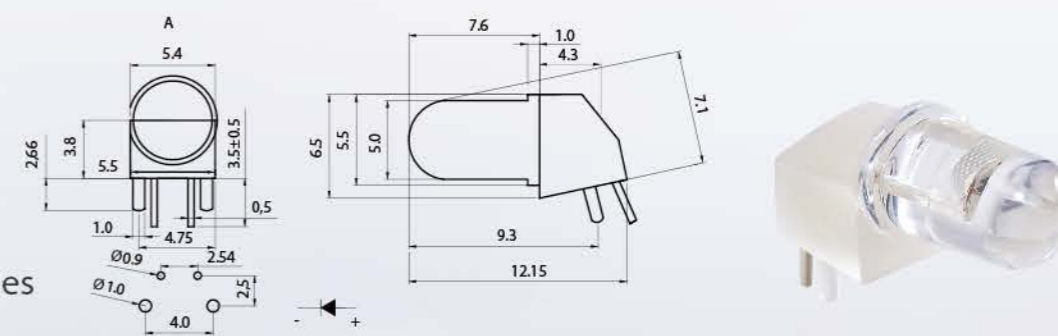
Holder LH31F Series
3 mm

Part No.	LED Lamp	Color	Wavelength λ_d (nm)/ CIE (x,y)	Resin Type	Typ. Luminous Intensity I_v (mcd)	Viewing Angle (deg.)	Typ. Forward Voltage V_F (V)	Forward Current I_F (mA)
L-H511007B	A=L-519SRGW	Hyper Red Yellow Green	640 570	White Diffused	40 20	60	1.9 2	20
LH511006B	A=L-519EGW	Super Red Yellow Green	628 570	White Diffused	20 20	60	1.9 2	20
LH511005B	A=L-519GYW	Yellow Yellow Green	587 570	White Diffused	15 20	60	2.1 2	20



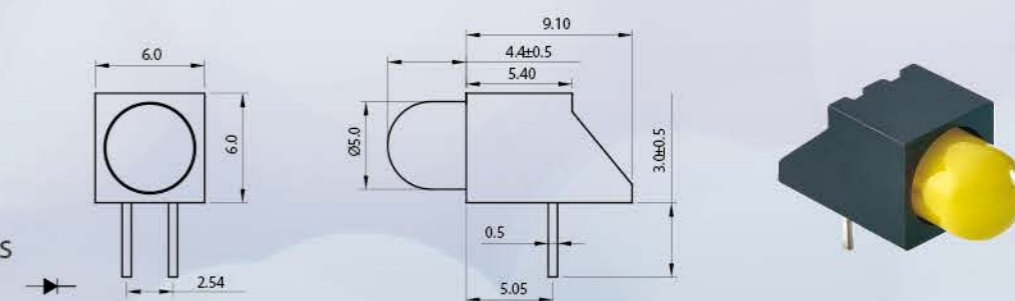
Holder LH512 Series
5 mm

Part No.	LED Lamp	Color	Wavelength λ_d (nm)/ CIE (x,y)	Resin Type	Typ. Luminous Intensity I_v (mcd)	Viewing Angle (deg.)	Typ. Forward Voltage V_F (V)	Forward Current I_F (mA)
L-H512005B	A=L-5023GD	Yellow Green	570	Green Diffused	25	60	2	20
L-H512006B	A=L-5023YD	Yellow	587	Yellow Diffused	15	60	2.1	20
L-H512007B	A=L-5023ED	Super Red	628	Red Diffused	25	60	1.9	20
L-H512008B	A=L-5023SRD	Hyper Red	640	Red Diffused	50	60	1.9	20



Holder LH51L Series
5 mm

Part No.	LED Lamp	Color	Wavelength λ_d (nm)/ CIE (x,y)	Resin Type	Typ. Luminous Intensity I (mcd)	Viewing Angle (deg.)	Typ. Forward Voltage V_F (V)	Forward Current I (mA)
L-H51L152E	A=LQRSVYC341G	Yellow	587	Water Clear	7000	30	1.9	20
L-H51L151E	A=LQR5UW5C340G	White	(0.28, 0.27)	Water Clear	5700	30	3	20



Holder LH513 Series
5 mm

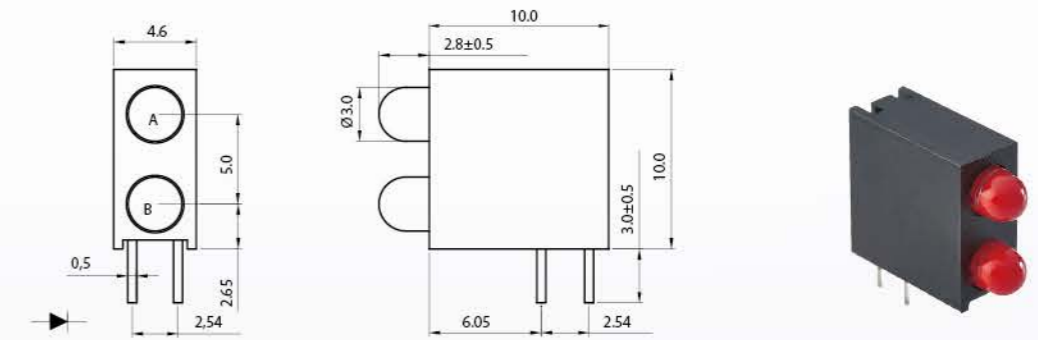
Part No.	LED Lamp	Color	Wavelength λ_d (nm)/ CIE (x,y)	Resin Type	Typ. Luminous Intensity I_v (mcd)	Viewing Angle (deg.)	Typ. Forward Voltage V_F (V)	Forward Current I_F (mA)
L-H513005B	A=L-5223GD	Yellow Green	570	Green Diffused	25	60	2	20
L-H513006B	A=L-5223YD	Yellow	587	Yellow Diffused	15	60	2.1	20
L-H513007B	A=L-5223ED	Super Red	628	Red Diffused	25	60	1.9	20
L-H513008B	A=L-5223SRD	Hyper Red	640	Red Diffused	50	60	1.9	20

Dual Level



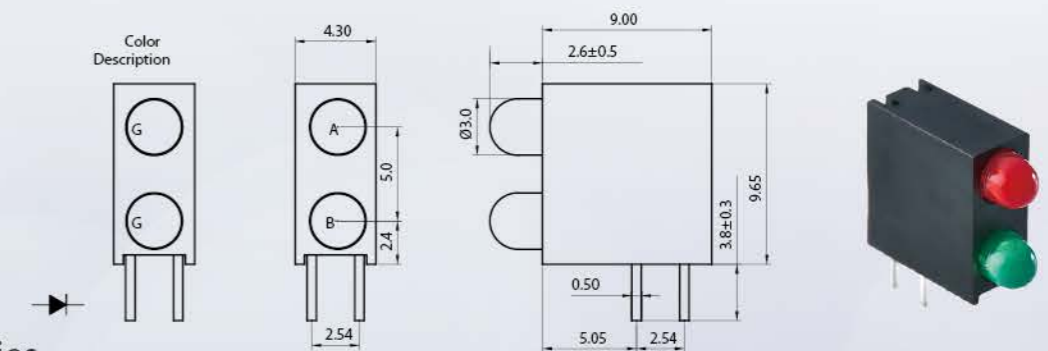
Application

- IoT indication
- Computing
- Hi-Fi system
- Uninterruptible power system



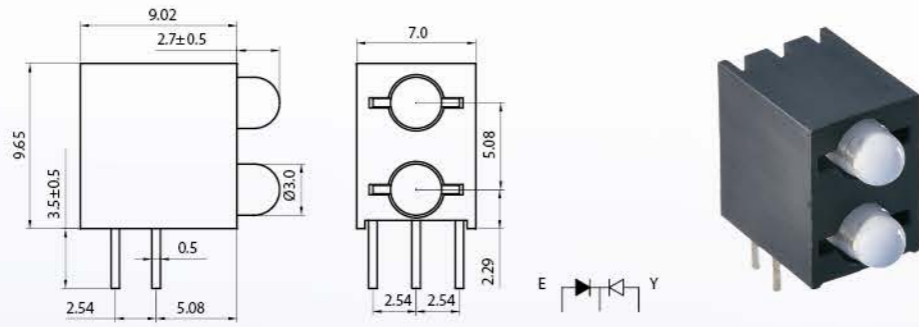
Holder LH322 Series
3 mm

Part No.	LED Lamp	Color	Wavelength λ_d (nm)/ CIE (x,y)	Resin Type	Typ. Luminous Intensity I_v (mcd)	Viewing Angle (deg.)	Typ. Forward Voltage V_f (V)	Forward Current I_f (mA)
L-H322005B	A=B= L-3524GD	Yellow Green	570	Green Diffused	18	60	2	20
L-H322006B	A=B= L-3524YD	Yellow	587	Yellow Diffused	15	60	2.1	20
L-H322007B	A=B= L-3524ED	Super Red	628	Red Diffused	18	60	1.9	20
L-H322008B	A=B= L-3524SRD	Hyper Red	640	Red Diffused	40	60	1.9	20



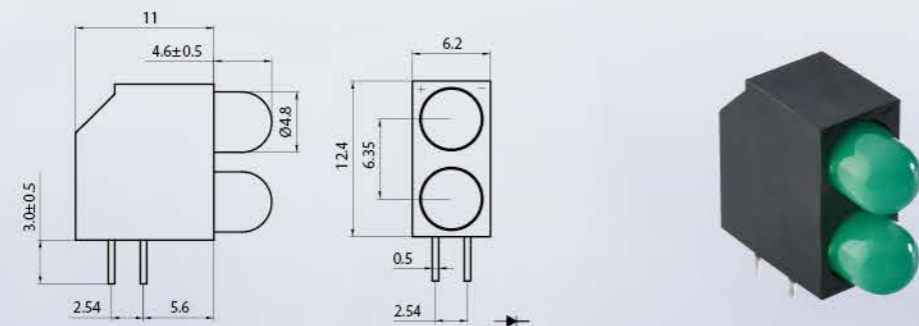
Holder LH32K Series
3 mm

Part No.	LED Lamp	Color	Wavelength λ_d (nm)/ CIE (x,y)	Resin Type	Typ. Luminous Intensity I_v (mcd)	Viewing Angle (deg.)	Typ. Forward Voltage V_f (V)	Forward Current I_f (mA)
LH32K039F	A=B= L-3524GD	Yellow Green	570	Green Diffused	18	60	2	20
LH32K046F	A=B= L-3524ED	Super Red	628	Red Diffused	18	60	1.9	20
LH32K047F	A= L-3524ED B= L-3524LY1D	Super Red Yellow	628 587	Red Diffused Yellow Diffused	18 25	60	1.9 2.1	20
LH32K048F	A= L-3524ED B= L-3524GD	Super Red Yellow Green	628 570	Red Diffused Green Diffused	18 18	80	1.9 2	20



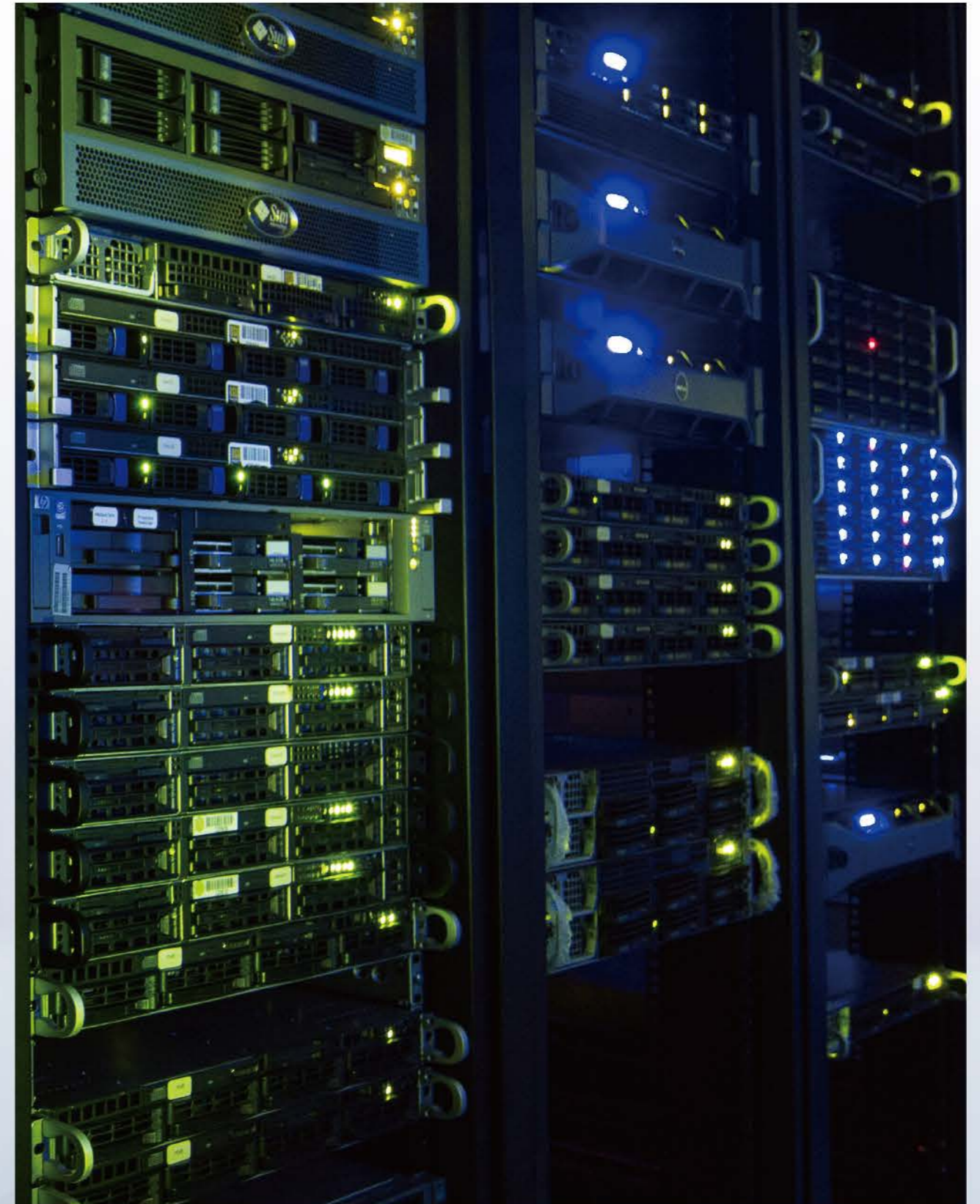
Holder LH32F Series
3 mm

Part No.	LED Lamp	Color	Wavelength λ_d (nm)/ CIE (x,y)	Resin Type	Typ. Luminous Intensity I_v (mcd)	Viewing Angle (deg.)	Typ. Forward Voltage V_F (V)	Forward Current I_F (mA)
LH32F023E	A=L359LR1UB5C B= no LED	● Super Red ● Blue	628 465	Water Clear	100 240	80	1.9 3	20
LH32F024E	A=B= L-359EYW	● Super Red ● Yellow	628 587	White Diffused	30 20	80	1.9 1.9	20
H329201E	A=B=L359EGW	● Super Red ● Green	628 570	White Diffused	30 30	80	1.9 2	20



Holder LH32K Series
3 mm

Part No.	LED Lamp	Color	Wavelength λ_d (nm)/ CIE (x,y)	Resin Type	Typ. Luminous Intensity I_v (mcd)	Viewing Angle (deg.)	Typ. Forward Voltage V_F (V)	Forward Current I_F (mA)
L-H523005B	A=B=L-523GD	● Yellow Green	570	Green Diffused	25	60	2	20
L-H523006B	A=B=L-523YD	● Yellow	587	Yellow Diffused	15	60	2.1	20

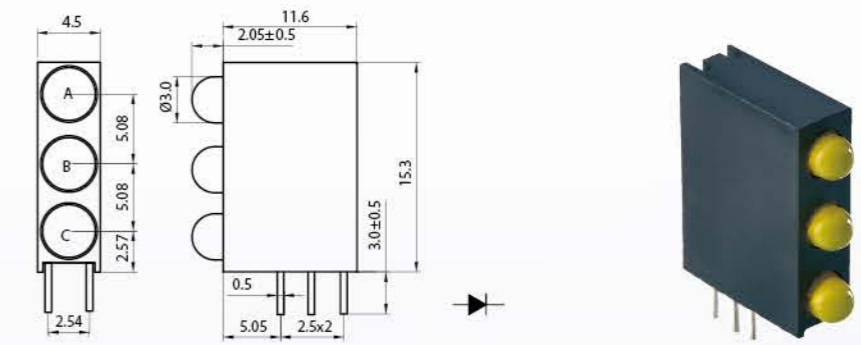


Tri Level



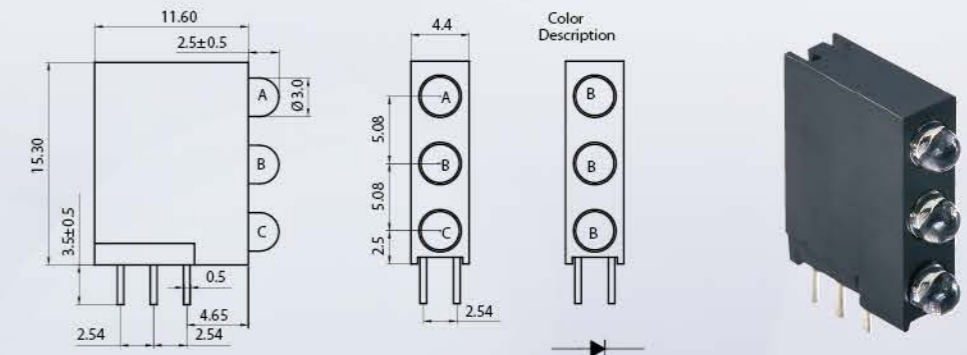
Application

- IoT indication
- Computing
- Hi-Fi system
- Uninterruptible power system



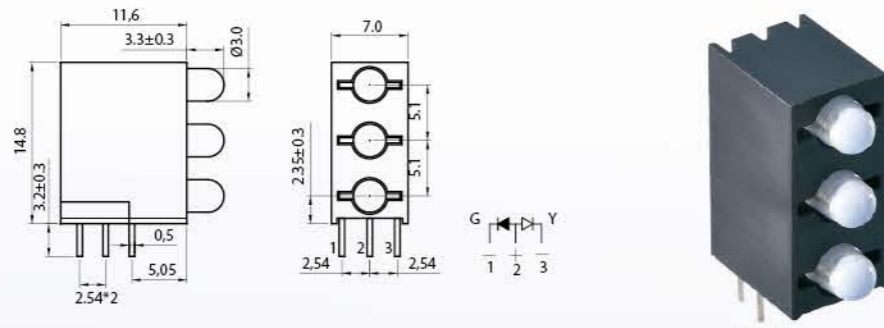
Holder LH331 Series
3 mm

Part No.	LED Lamp	Color	Wavelength λ_d (nm)/ CIE (x,y)	Resin Type	Typ. Luminous Intensity I_v (mcd)	Viewing Angle (deg.)	Typ. Forward Voltage V_f (V)	Forward Current I_f (mA)
L-H331005B	A=B=C= L-3541GD	Yellow Green	570	Green Diffused	18	60	2	20
L-H331006B	A=B=C= L-3541YD	Yellow	587	Yellow Diffused	15	60	2.1	20
L-H331007B	A=B=C= L-3541ED	Super Red	628	Red Diffused	18	60	1.9	20
L-H331008B	A=B=C= L-3541SRD	Hyper Red	640	Red Diffused	40	60	1.9	20



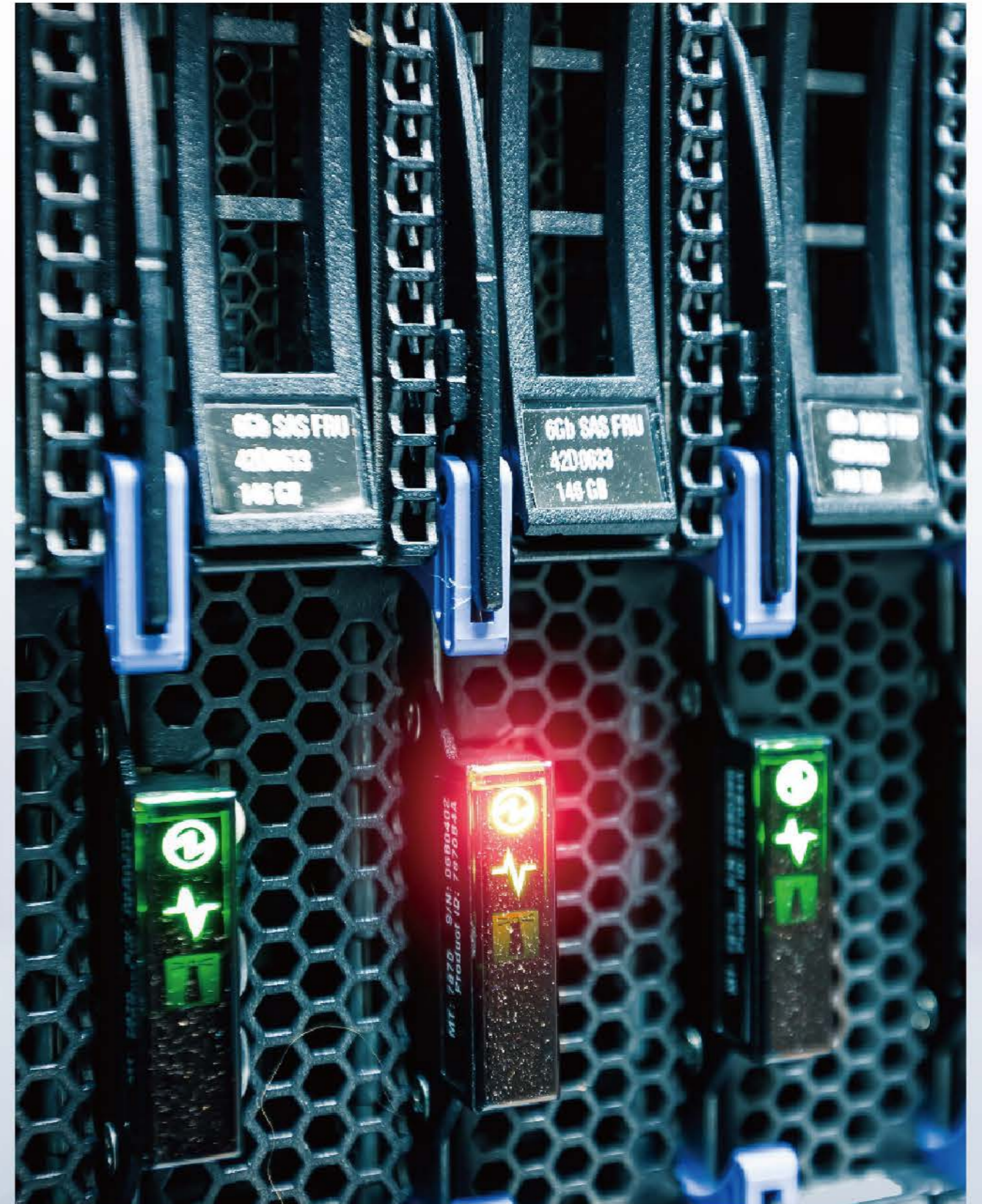
Holder LH339 Series
3 mm

Part No.	LED Lamp	Color	Wavelength λ_d (nm)/ CIE (x,y)	Resin Type	Typ. Luminous Intensity I_v (mcd)	Viewing Angle (deg.)	Typ. Forward Voltage V_f (V)	Forward Current I_f (mA)
L-H339106E	A=B=C= L354UB5C	Blue	465	Water Clear	2000	60	3	20
L-H339116E	A=B=C=L-354GC	Yellow Green	570	Water Clear	180	60	2	20
L-H339115E	A=B=C=L-354IC	Hyper Red	640	Water Clear	200	60	1.9	20



Holder LH33C Series
3 mm

Part No.	LED Lamp	Color	Wavelength λ_d (nm)/ CIE (x,y)	Resin Type	Typ. Luminous Intensity I_v (mcd)	Viewing Angle (deg.)	Typ. Forward Voltage V_f (V)	Forward Current I_f (mA)
L-H33C201B	A=B=C=L-359IGW	● Hyper Red ● Yellow Green	640 570	White Diffused	30 20	80	1.9 2	20
L-H33C204D	A=B=C=L-329YGW	● Yellow ● Yellow Green	587 570	White Diffused	14 20	80	2.1 2	20

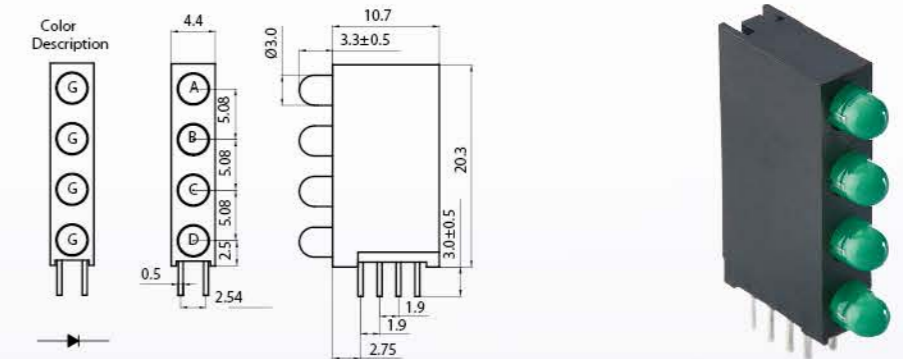


Quad Level



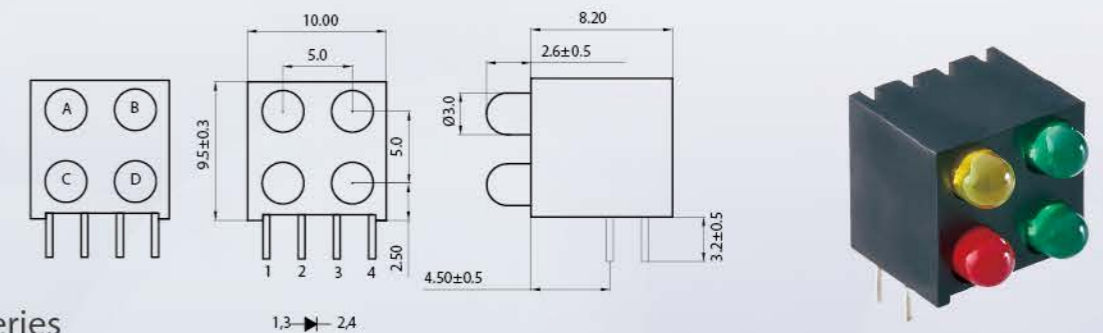
Application

- IoT indication
- Computing
- Hi-Fi system
- Uninterruptible power system



Holder LH34A Series
3 mm

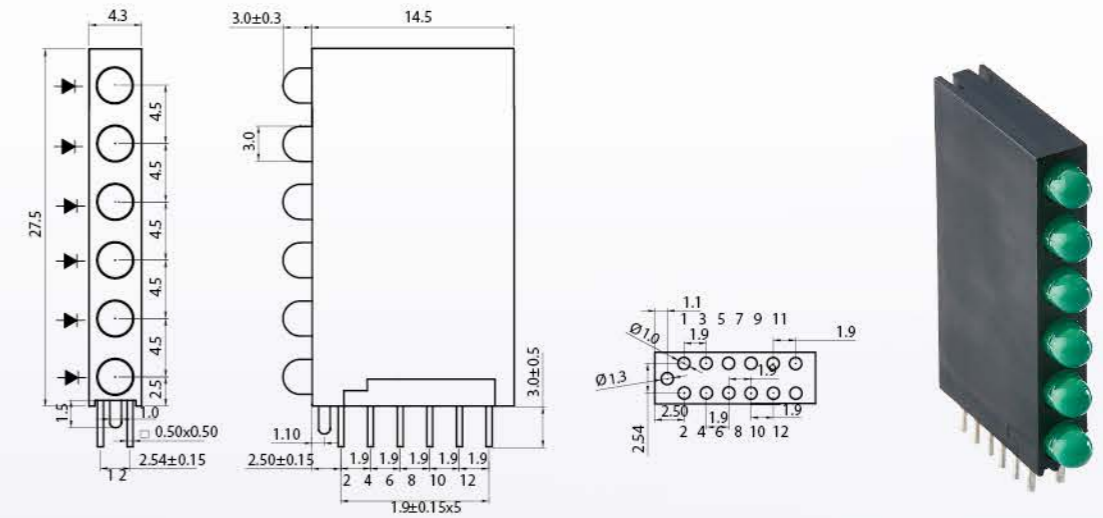
Part No.	LED Lamp	Color	Wavelength λ_d (nm)/ CIE (x,y)	Resin Type	Typ. Luminous Intensity I_v (mcd)	Viewing Angle (deg.)	Typ. Forward Voltage V_f (V)	Forward Current I_f (mA)
L-H34A005B	A=B=C=D=L-3541GD	Yellow Green	570	Green Diffused	18	60	2	20
L-H34A006B	A=B=C=D=L-3541YD	Yellow	587	Yellow Diffused	15	60	2.1	20
L-H34A007B	A=B=C=D=L-3541ED	Super Red	628	Red Diffused	18	60	1.9	20
L-H34A008B	A=B=C=D=L-3541SRD	Hyper Red	640	Red Diffused	40	60	1.9	20



Holder LH34D Series
3 mm

Part No.	LED Lamp	Color	Wavelength λ_d (nm)/ CIE (x,y)	Resin Type	Typ. Luminous Intensity I_v (mcd)	Viewing Angle (deg.)	Typ. Forward Voltage V_f (V)	Forward Current I_f (mA)
L-H34D201C	A=B=C=D=L-327GW	Yellow Green Yellow	570 587	White Diffused	10 8	80	2 2.1	20
L-H34D202C	A=L324YD	Yellow	587	Yellow Diffused	15	80	2.1	20
	B=D=L324GD	Yellow Green	570	Green Diffused	20		2	
	C=L324SRD	Hyper Red	640	Red Diffused	22		1.9	

Hexa Level



Holder LH36A Series
3 mm

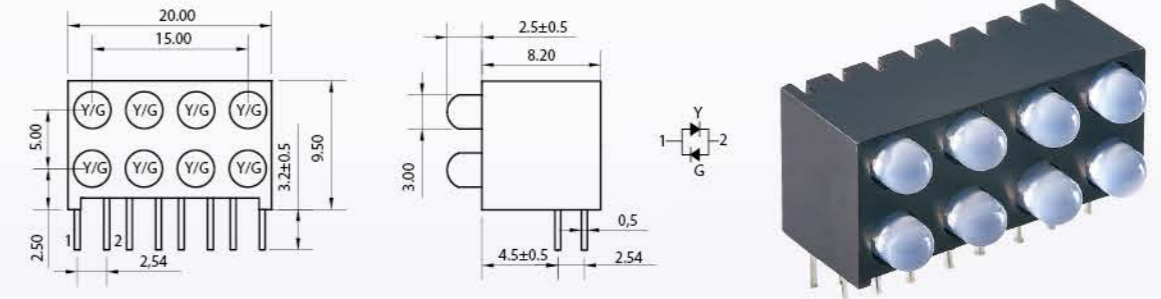
Part No.	LED Lamp	Color	Wavelength λ_d (nm)/ CIE (x,y)	Resin Type	Typ. Luminous Intensity I_v (mcd)	Viewing Angle (deg.)	Typ. Forward Voltage V_f (V)	Forward Current I_f (mA)
L-H36A100B	A=L-354GD Yellow	Yellow Green	570	Green Diffused	18	60	2	20
L-H36A101B	A=L-354ED	Super Red	628	Red Diffused	18	60	1.9	20
	A=L-354GD	Yellow Green	570	Green Diffused	18	60	2	20

Application

- IoT indication
- Computing
- Hi-Fi system
- Uninterruptible power system



Octa Level



Holder LH385 Series
3 mm

Part No.	LED Lamp	Color	Wavelength λ_d (nm)/ CIE (x,y)	Resin Type	Typ. Luminous Intensity I_v (mcd)	Viewing Angle (deg.)	Typ. Forward Voltage V_f (V)	Forward Current I (mA)
L-H385002C	L-327GYW	Yellow Green	565	White Diffused	18	70	2	20
		Yellow	585		15	70	2.2	20

Application

- IoT indication
- Computing
- Hi-Fi system
- Uninterruptible power system



▶ **HEADQUARTER**

光鼎電子股份有限公司
Para Light Electronics Co., LTD.



📍 新北市中和區建康路8號11樓
11F, No. 8, Jiankang Rd., Zhonghe Dist. New Taipei City, 23586 Taiwan

☎ +886-2-2225-3733

☎ +886-2-2225-4800

✉ para@para.com.tw

🌐 www.paralighttaiwan.com

▶ **FACTORY**

連雲港光鼎電子有限公司
Para Light Lianyungang Electronics Co., Ltd.



📍 中国江苏省连云港市灌南县经济开发区海路8号
No.8, Wei Hai Rd., Guannan Economics Development Zone, Lianyungang City, Jiangsu Province, 223500, China

☎ +86-518-8369-2888

☎ +86-518-8369-2899

✉ para@para.com.tw

南京華鼎電子有限公司
Para Light Nanjing Electronics Co., Ltd.



📍 中国江苏省南京市江宁区汤山街汤泉西路1号
No.1, Tanguan W. Rd., Tangshan Ave., Jianning Dist. Nanjing City, Jiansu Province, 211131 China

☎ +86-25-8410-7685

☎ +86-25-8410-7684

仰光緬甸
Para Light Yangon (Myanmar)



📍 Shwe Lin Pan Industrial area, Yangon City, Myanmar

▶ **AMERICA**

美國光鼎分公司
Para Light Corp. USA



📍 515 Spanish Lane, Suite # A&B, Walnut, CA 91789, USA

☎ +1 (877) 377-PARA / +1 (909) 468-4866

✉ sales@paralightusa.com

🌐 www.paralightusa.com

▶ **INDIA**

印度分公司
PARA LIGHT INDIA PVT. LTD.

📍 No.979, 9th Floor, Aggarwal Cyber Plaza-2, Netaji Subhash Place, Pitampura, New Delhi-110034, India

✉ para@para.com.tw

▶ **Greater China-Sales Team**

North China : Beijing, Qingdao
East China : Shanghai, Ningbo, Suzhou, Nanjing, Hefei, Wuhan, Zhengzhou
South: Shenzhen, Xiamen, Jiangmen
Central : Chengdu

蘇州光鼎電子有限公司 East China
PARA LIGHT (SUZHOU) Electronics Co., Ltd.



📍 苏州新区狮山路199号新地中心2104室
Room 2104, Xindi Center Building, No.199, Shishan Road Suzhou City, Jiangsu Province, 215011 China

☎ +86-133-6527-0527

☎ +86-512-6809-7669

✉ jeremy@para-lyg.com.cn

光鼎深圳實業有限公司 South China
PARA LIGHT(SHENZHEN) Electronics Co., Ltd.

📍 中国深圳市龙华区观东路57号尚美时代大厦1310-1312室
Room 1310-1312, Shangmei Times Building, No.57, Longguan East Road, Longhua Dist., Shenzhen City, Guangdong Province, 518110 China

☎ +86-189-2747-1103

✉ eddy@paralight.com.cn

光鼎北京辦事處 North China
Para Light (BEIJING) Sales Office

📍 北京市海淀区清和中街橡樹灣二期
Qinghe street, oak bay Phase II building, Haiding District, Beijing City, 100000 China

☎ +186-2642-9477 / 181-0107-7619

✉ tianjin@paralight.com.cn

光鼎成都辦事處 Central China
Para Light (CHENGDU) Sales Office

📍 四川省成都市金牛区金沙路169号-现代城1幢10层1008室
Room 1008, 10th Floor, No. 169 Xiandaicheng Building 1, Jinsha Road, Jinniu District, Chengdu city, Sichuan Province, 610031 China

☎ +87-0532-8569-2571

✉ yangfeiting@para-lyg.com.cn