



PARA LIGHT ELECTRONICS CO., LTD.



T +886-2-2225-3733

F +886-2-2225-4800



para@para.com.tw



11F, No. 8, Jiankang Rd., Zhonghe Dist., New Taipei City 23586, Taiwan



www.para.com.tw



LED Holder Circuit Board Indicator

- IoT indication • Computing server
- Hi-Fi system • Uninterruptible power system

2021 Component
Catalog



Contents

■ Single Level	3mm	7
	5mm	9

■ Dual Level	3mm	11
	5mm	12

■ Tri Level	3mm	15
-------------	-----	----

■ Quad Level	3mm	17
--------------	-----	----

■ Penta Level	3mm	19
---------------	-----	----

■ Hexa Level	3mm	21
--------------	-----	----

■ Qcta and More Level	3mm	23
-----------------------	-----	----



Taiwan HQ

📍 11F, No. 8, Jiankang Rd., Zhonghe Dist. New Taipei City, 23586 Taiwan
 ☎ +886-2-2225-3733 📠 +886-2-2225-4800
 ✉ para@para.com.tw
 🌐 www.paralighttaiwan.com

Lianyungan Plant

📍 No.8, Wei Hai Rd., Guannan Economics Deveopment Zone, Lianyungang City, Jiangu Province, 222500, China
 ☎ +86-518-8369-2888
 📠 +86-518-8369-2899
 ✉ para@para.com.tw

Nanjing Plant

📍 No.1, Tangquan W. Rd., Tangshan Ave., Jianning Dist. Nanjing City, Jiansu Province, 211131 China
 ☎ +86-25-8410-7685
 📠 +86-25-8410-7684

USA Office

📍 515 Spanish Lane, Suite # A&B, Walnut, CA 91789, USA
 ☎ +1 (877) 377-PARA / +1 (909) 468-4866
 ✉ sales@paralightusa.com
 🌐 www.paralightusa.com

Company Profile

Established in 1987
 Chairman : Mr. David Ma
 Capital : USD 37million
 No. of Employee : 1028

Founded in 1987, PARA LIGHT is now a global innovator and leader in visible and invisible LED fields. With two manufacturing plants certified with ISO 14001, ISO 9001, TS16969, and also complies with REACH and RoHS.

We offer advanced and beyond expectation R&D services based on the strongest lineup ever of 1,028 employees located in different countries and cities that includes more than 70 professional engineers, and 80 Quality Assurance squad.

About the product category, from the elementary LED component to further appli-
 ance such as UV sensor, LED back light, integrated light moudule, commercial light-
 ing, automotive lighting and any lighting solution, PARA LIGHT keeps growing and
 expanding the products diversity in response to the global industry or market trend.

Quality Certification



IATF16949



ISO9001



ISO14001



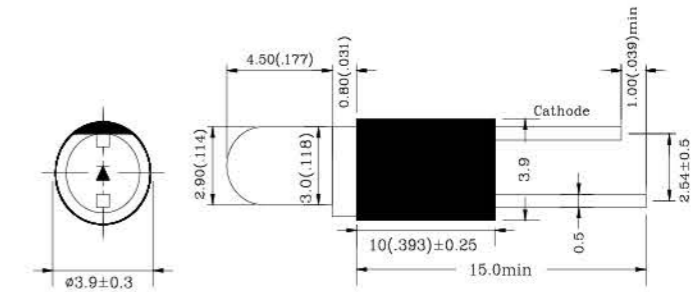


Single Level



Application

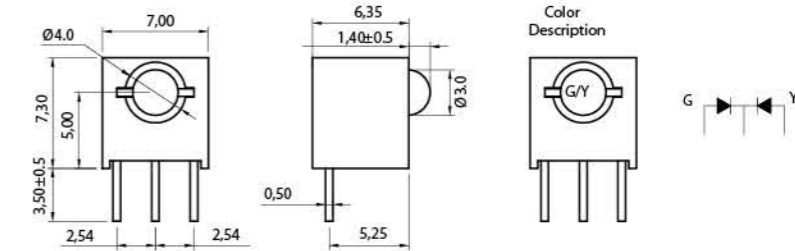
- IoT indication
- Computing server
- Hi-Fi system
- Uninterruptible power system



Holder LHA143

3 mm

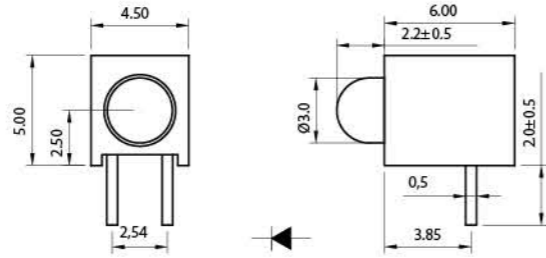
Part No.	LED Lamp	Color	Wavelength λ_d (nm)/ CIE (x,y)	Resin Type	Typ. Luminous Intensity I_v (mcd)	Viewing Angle (deg.)	Typ. Forward Voltage V_f (V)	Forward Current I_f (mA)
LHA14313	A=L3X4GD	Yellow Green	572	Green Diffused	20	60	2.2	30
LHA14314	A=L3X4YD	Yellow	587	Yellow Diffused	25	60	2.2	30
LHA14315	A=L3X4HD	Red	700	Red Diffused	1.8	60	2.0	30



Holder LH31F

3 mm

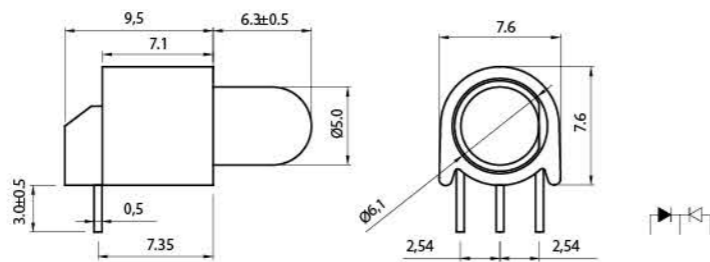
Part No.	LED Lamp	Color	Wavelength λ_d (nm)/ CIE (x,y)	Resin Type	Typ. Luminous Intensity I_v (mcd)	Viewing Angle (deg.)	Typ. Forward Voltage V_f (V)
LH31F103X	A=L359GYW	Yellow Yellow Green	586 570	White Diffused	10 4	60	2.1 2.2
LH31F104X	A=L359EGW	Orange Yellow Green	628 568	White Diffused	18 14	100	2.1 2.2



Holder LH31C

3 mm

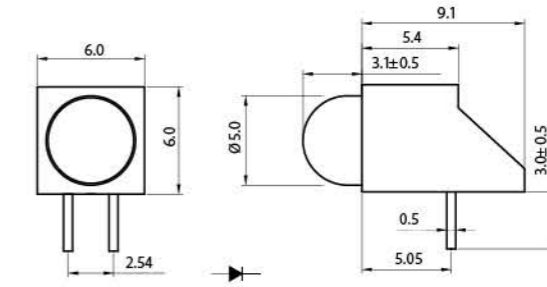
Part No.	LED Lamp	Color	Wavelength λ_d (nm)/ CIE (x,y)	Resin Type	Typ. Luminous Intensity I_v (mcd)	Viewing Angle (deg.)	Typ. Forward Voltage V_f (V)
LH31C015X	A=L-354UB5D	Blue	465	Blue Diffused	200	70	3
LH31C016X	A=L-304UP5D	Purple	(0.19, 0.06)	Purple Diffused	450	40	2.9
LH31C017X	A=L-357EGW	Orange Yellow Green	628 568	White Diffused	12 15	120	2.1



Holder LH511

5 mm

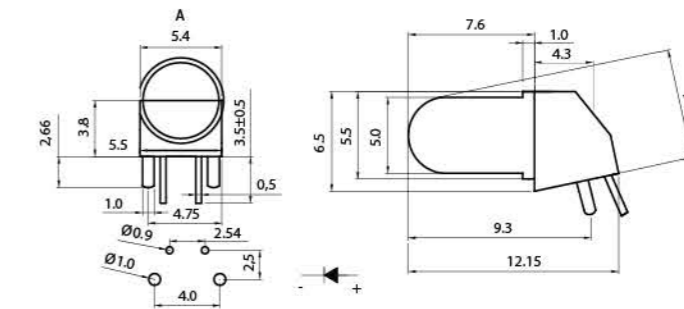
Part No.	LED Lamp	Color	Wavelength λ_d (nm)/ CIE (x,y)	Resin Type	Typ. Luminous Intensity I_v (mcd)	Viewing Angle (deg.)	Typ. Forward Voltage V_f (V)
LH511007X	A=L-519SRGW	Red Yellow Green	643 570	White Diffused	30 20	150	1.8 2.2
LH511006X	A=L-519EGW	Orange Yellow Green	622 570	White Diffused	30 20	150	2.1 2.2
LH511005X	A=L-519GYW	Yellow Yellow Green	587 568	White Diffused	25 30	150	2.1 2.2



Holder LH512

5 mm

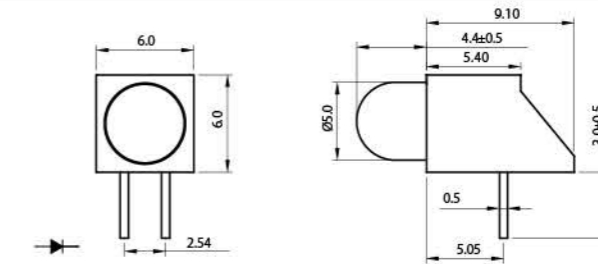
Part No.	LED Lamp	Color	Wavelength λ_d (nm)/ CIE (x,y)	Resin Type	Typ. Luminous Intensity I_v (mcd)	Viewing Angle (deg.)	Typ. Forward Voltage V_f (V)
LH512005X	A=L-503GD	Yellow Green	570	Green Diffused	25	80	2.1
LH512006X	A=L-503YD	Yellow	587	Yellow Diffused	5	80	2.1
LH512007X	A=L-503HD	Red	650	Red Diffused	5	80	2.1
LH512008X	A=L-503ED	Orange	628	Red Diffused	20	80	2



Holder LH51L

5 mm

Part No.	LED Lamp	Color	Wavelength λ_d (nm)/ CIE (x,y)	Resin Type	Typ. Luminous Intensity I_v (mcd)	Viewing Angle (deg.)	Typ. Forward Voltage V_f (V)
LH51L152X	A=LQR5VYC341G	Yellow	593	Water Clear	7000	30	2
LH51L151X	A=LQR5UWSC340G	White	(0.32, 0.33)	Water Clear	5700	55	2.8



Holder LH513

5 mm

Part No.	LED Lamp	Color	Wavelength λ_d (nm)/ CIE (x,y)	Resin Type	Typ. Luminous Intensity I_v (mcd)	Viewing Angle (deg.)	Typ. Forward Voltage V_f (V)
LH513005X	A=L-523GD	Yellow Green	568	Green Diffused	20	80	1.9
LH513006X	A=L-523YD	Yellow	587	Yellow Diffused	20	80	2.1
LH513008X	A=L-523ED	Orange	628	Red Diffused	10	80	1.9
LH513009X	A=L-523SRD	Red	640	Red Diffused	20	80	1.9



Dual Level



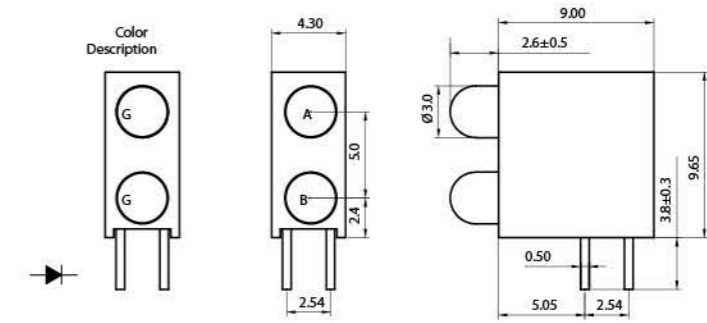
Application

- IoT indication
- Computing server
- Hi-Fi system
- Uninterruptible power system



Holder LH32K

3 mm

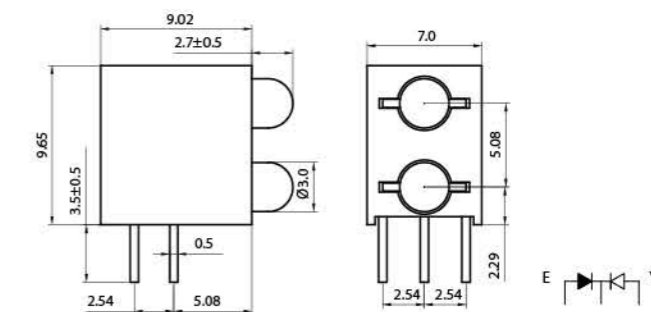


Part No.	LED Lamp	Color	Wavelength λ_d (nm)/ CIE (x,y)	Resin Type	Typ. Luminous Intensity I_v (mcd)	Viewing Angle (deg.)	Typ. Forward Voltage V_f (V)
LH32K036X	A=B= L3524GD	Yellow Green	570	Green Diffused	10	60	1.9
LH32K046X	A=B= L3524ED	Orange	628	Red Diffused	30	50	1.9
LH32K047X	A= L3524ED B= L3524LY1D	Orange Yellow	628 587	Red Diffused Yellow Diffused	30 15	50	1.9
LH32K048X	A= L3524ED B= L3524GD	Orange Yellow Green	628 570	Red Diffused Green Diffused	30 15	50	1.9



Holder LH32F

3 mm

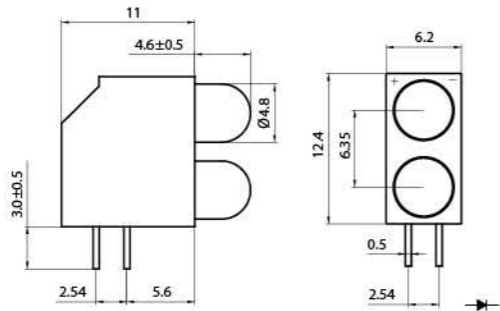


Part No.	LED Lamp	Color	Wavelength λ_d (nm)/ CIE (x,y)	Resin Type	Typ. Luminous Intensity I_v (mcd)	Viewing Angle (deg.)	Typ. Forward Voltage V_f (V)
LH32F023X	A=L359LR1UB5C B= 0	Orange Blue	630 470	Water Clear	100 240	150	1.9 3
LH32F024X	A=B= L359EYW	Orange Yellow	628 587	White Diffused	30 28	80	1.9 1.9
H329201X	A=B=L359EGW	Orange Green	628 568	White Diffused	22 20	80	2 2.1



Holder LH523

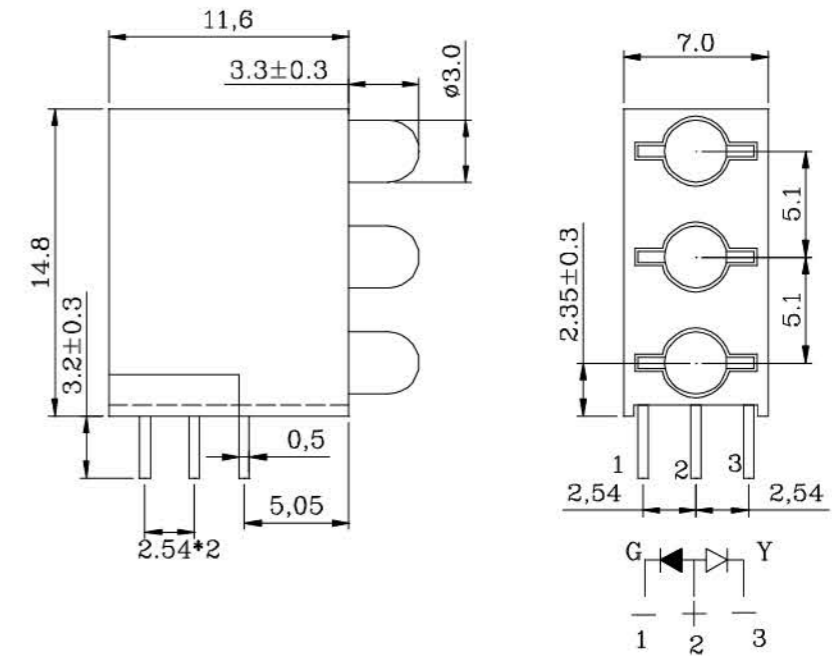
5 mm



Part No.	LED Lamp	Color	Wavelength λ_d (nm)/ CIE (x,y)	Resin Type	Typ. Luminous Intensity I_v (mcd)	Viewing Angle (deg.)	Typ. Forward Voltage V_F (V)
LH523005X	A=B= L-523GD	Yellow Green	568	Green Diffused	18	80	1.9
LH523006X	A=B= L-523YD	Yellow	587	Yellow Diffused	18	80	2.1



Tri Level



Holder LH33C

3 mm

Part No.	LED Lamp	Color	Wavelength λ_d (nm)/ CIE (x,y)	Resin Type	Typ. Luminous Intensity I_v (mcd)	Viewing Angle (deg.)	Typ. Forward Voltage V_f (V)
LH33C204D-HTS	A=B=C=L329YGW	Yellow Yellow Green	587 570	White Diffused	8 5	80	2.0
LH33C203D-HTS	A=B=C=L329EGW	Red Green	32 30	White Diffused	12 8	80	2.0



Application

- IoT indication
- Computing server
- Hi-Fi system
- Uninterruptible power system



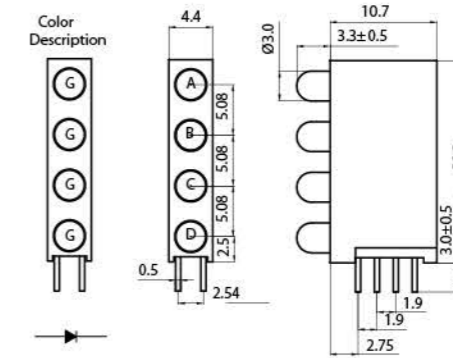
Application

- IoT indication
- Computing server
- Hi-Fi system
- Uninterruptible power system



Holder LH34A

3 mm

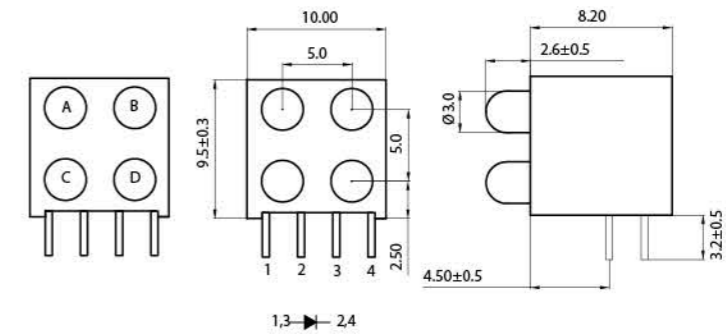


Part No.	LED Lamp	Color	Wavelength λ_d (nm)/ CIE (x,y)	Resin Type	Typ. Luminous Intensity I_v (mcd)	Viewing Angle (deg.)	Typ. Forward Voltage V_f (V)
LH34A006X	A=B=C=D= L3541GD	Green	568	Green Diffused	30	80	2.1
LH34A007X	A= L3541GD B=C=D= 0	Green	568	Green Diffused	20	80	2.1
LH34A032X	A=B=C=D= LGR3E018	Orange	628	Red Diffused	30	60	2.1
LH34A036X	A=C= L3541GD B=D= L3541YD	Yellow Green	587 568	Yellow Diffused Green Diffused	50 60	60	2.2



Holder LH34D

3 mm



Part No.	LED Lamp	Color	Wavelength λ_d (nm)/ CIE (x,y)	Resin Type	Typ. Luminous Intensity I_v (mcd)	Viewing Angle (deg.)	Typ. Forward Voltage V_f (V)
LH34D201X	A=B=C=L324GD	Yellow Green	570	White Diffused	20	60	2
	D=L324YD	Yellow	589				2.1
LH34D202X	A=L324YD	Yellow	589	Yellow Diffused	20	60	2
	B=D=L324GD	Yellow Green	570	Green Diffused			2
	C=L324SRD	Red	640	Red Diffused			2.1



Penta Level



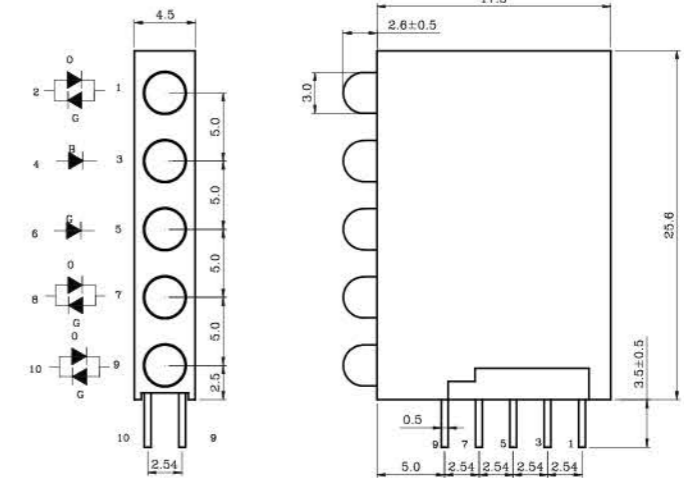
Application

- IoT indication
- Computing server
- Hi-Fi system
- Uninterruptible power system



Holder LH35A

3 mm



Part No.	LED Lamp	Color	Wavelength λ_d (nm)/ CIE (x,y)	Resin Type	Typ. Luminous Intensity I_v (mcd)	Viewing Angle (deg.)	Typ. Forward Voltage V_f (V)	Forward Current I_f (mA)
LH35A005E	A=L327LES1PG6W	Orange	605	White Diffused	200	70	2.0	30
	B=L3243UB5C		525					
	C=L3241PG6D	Green						
	D=E=L324LES1PG6W							

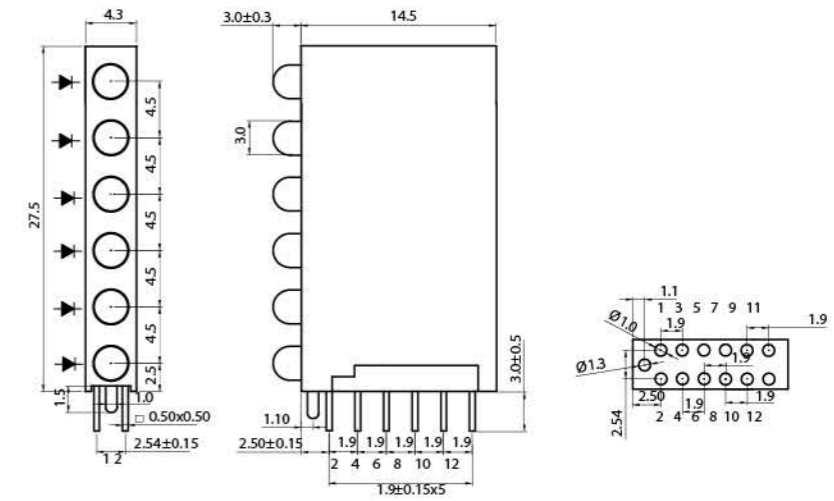


Hexa Level



Holder LH36A

3 mm



Part No.	LED Lamp	Color	Wavelength λ_d (nm)/ CIE (x,y)	Resin Type	Typ. Luminous Intensity I_v (mcd)	Viewing Angle (deg.)	Typ. Forward Voltage V_f (V)
LH36A100X	A=L3543GD	Yellow Green	570	Green Diffused	10	80	1.9
LH36A101X	A=L3541ED	Orange	633	Red Diffused	10	80	1.8
	A=L3543GD	Yellow Green	570	Green Diffused	10		1.9



Application

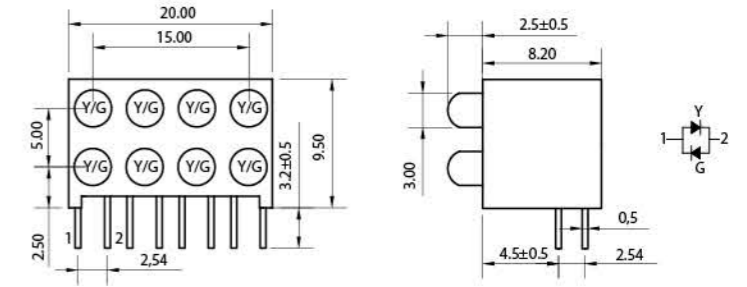
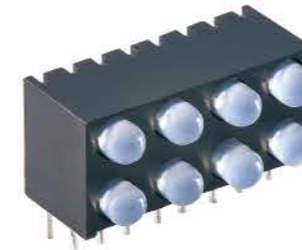
- IoT indication
- Computing server
- Hi-Fi system
- Uninterruptible power system



Octa and More Level

Application

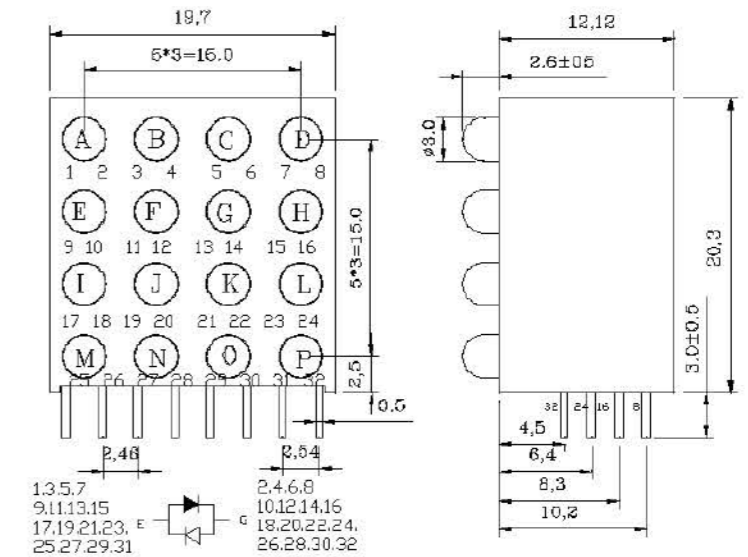
- IoT indication
- Computing server
- Hi-Fi system
- Uninterruptible power system



Holder LH385

3 mm

Part No.	LED Lamp	Color	Wavelength λ_d (nm)/ CIE (x,y)	Resin Type	Typ. Luminous Intensity I_v (mcd)	Viewing Angle (deg.)	Typ. Forward Voltage V_f (V)
LH385002X	A= L327GYW	Yellow Green	570	White Diffused	18	70	2
		Yellow	587		15		2.2



Holder LH3G

3 mm

Part No.	LED Lamp	Color	Wavelength λ_d (nm)/ CIE (x,y)	Resin Type	Typ. Luminous Intensity I_v (mcd)	Viewing Angle (deg.)	Typ. Forward Voltage V_f (V)	Forward Current I_f (mA)
LH3G1009B	A-P= L327LESVG4W	Amber	605	White Diffused	150	80	2.1	30
		Green	570		120			

► Headquarters

光鼎電子股份有限公司 Para Light Electronics Co., Ltd.

新北市中和區建康路8號11樓
11F, No. 8, Jiankang Rd., Zhonghe Dist. New Taipei City, 23586 Taiwan
T+886-2-2225-3733
F+886-2-2225-4800
para@para.com.tw
www.para.com.tw

► Factory

連雲港光鼎電子有限公司 Para Light Lianyungang Electronics Co., Ltd.

中国江苏省连云港市灌南县经济开发区威海路8号
No.8, Wei Hai Rd., Guannan Economics Deveopment Zone,
Lianyungang City, Jiangsu Province, 223500, China
T+86-518-8369-2888
F+86-518-8369-2899
para@para.com.tw

南京華鼎電子有限公司 Para Light Nanjing Electronics Co., Ltd.

中国江苏省南京市江宁区汤山街汤泉西路1号
No.1, Tanguan W. Rd., Tangshan Ave., Jianning Dist. Nanjing City,
Jiansu Province, 211131 China
T+86-25-8410-7685
F+86-25-8410-7684

仰光緬甸 Para Light Yangon (Myanmar)

Shwe Lin Pan Industrial area, Yangon City, Myanmar

► America

美國光鼎分公司 Para Light Corp. USA

515 Spanish Lane, Suite # A&B, Walnut, CA 91789, USA
T+1 (877) 377-PARA / T+1 (909) 468-4866
sales@paralightusa.com
www.paralightusa.com

► India

印度分公司 PARA LIGHT INDIA PVT. LTD.

No.979, 9th Floor, Aggarwal Cyber Plaza-2,
Netaji Subhash Place, Pitampura, New Delhi- 110034, India
T+011-41086226
abhinav.jha@para.com.tw

► Greater China-Sales Team

North China : Beijing, Qingdao
East China : Shanghai, Ningbo, Suzhou, Nanjing, Hefei, Wuhan, Zhengzhou
South: Shenzhen, Xiamen, Jiangmen
Central : Chengdu

蘇州光鼎電子有限公司 East China Para Light (SUZHOU) Electronics Co., Ltd.

苏州新区狮山路199号新地中心2104室
Room 2104, Xindi Center Building, No.199, Shishan Road
Suzhou City, Jiangsu Province, 215011 China
T+86-133-6527-0527
F+86-512-6809-7669
jeremy@para-lyg.com.cn

光鼎深圳實業有限公司 South China Para Light (SHENZHEN) Electronics Co., Ltd.

中国深圳市龙华区龙观东路57号尚美时代大厦1310-1312室
Room 1310-1312, Shangmei Times Building, No.57,
Longguan East Road, Longhua Dist., Shenzhen City,
Guangdong Province, 518110 China
T+86-189-2747-1103
eddy@paralight.com.cn

青島光鼎電子有限公司 Para Light (QINGDAO) Electronics Co., Ltd.

山东省青岛市市北区山东路168号时代国际广场12楼1204室
Room 1204, 12th Floor, Times International Plaza,
No.168 Shandong Road, Shibei District, Qingdao City,
Shandong Province, 266000 China
T+0532-85692571 / 18626429477

光鼎北京辦事處 North China Para Light (BEIJING) Sales Office

北京市海淀区请和中街橡树湾二期
Qinghe street, oak bay Phase II building, Haiding District,
Beijing City, 100000 China
T+186-2642-9477 / 181-0107-7619
tianjin@paralight.com.cn

光鼎成都辦事處 Central China Para Light (CHENGDU) Sales Office

四川省成都市金牛区金沙路169号-现代城1幢10层1008室
Room 1008, 10th Floor, No. 169 Xiandaicheng Building 1, Jinsha Road,
Jinniu District, Chengdu city, Sichuan Province, 610031 China
T+86-18360655305
yangfeiting@para-lyg.com.cn