

DATA SHEET

PART NO.: SA301UW113

REV: A / 1

CUSTOMER'S APPROVAL: _____

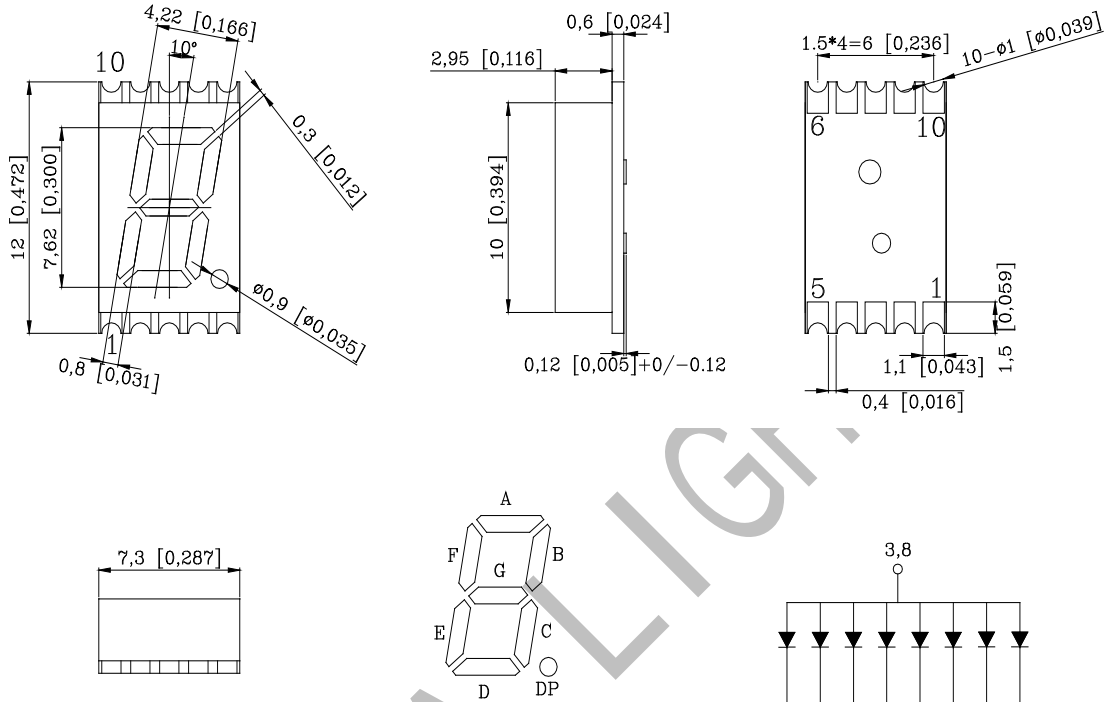
DCC: _____

0.30" SINGLE DIGIT SMD LED DISPLAY

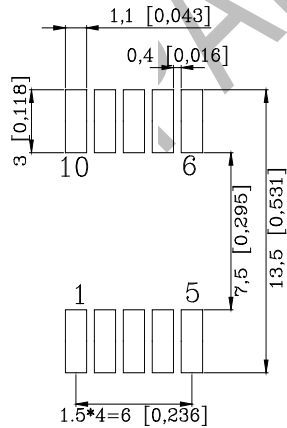
SA301UW113

REV: A / 1

PACKAGE DIMENSIONS



RECOMMENDED SOLDERING PATTERN



- NOTES:
1. All dimensions are in millimeters (inches)
 2. Tolerance is +/- 0.25mm (0.010") unless otherwise specified
 3. The specifications, electrical characteristics and technical data described in this datasheet are subject to change without prior notice

0.30" SINGLE DIGIT SMD LED DISPLAY

SA301UW113

REV: A / 1

FEATURES

- 7.62mm (0.30 inch)DIGIT HEIGHT
- COMMON ANODE
- SMD TYPE
- MOISTURE SENSITIVITY LEVEL: 2a
- LOW POWER CONSUMPTION
- Pb FREE PRODUCT
- GRAY FACE, WHITE SEGMENTS
- 1100PCS/ROL
- HIGHLIGHT<-1000V THE LED CAN WITHSTAND THE MAX STATIC LEVELWHEN ASSEMBLING OR OPERATION.

Raw Material : SMD:InGaN/Ga/N

ABSOLUTE MAXIMUM RATING : (Ta = 25°C)

SYMBOL	PARAMETER	WHITE	UNIT
PD	Power Dissipation Per Segment	80	mW
VR	Reverse Voltage Per Segment	5	V
IAF	Continuous Forward Current Per Segment	25	mA
IPF	Peak Forward Current Per Segment (1/10 Duty Cycle,0.1ms Pulse Width)	80	mA
Topr	Operating Temperature Range	-40°C to 85°C	
Tstg	Storage Temperature Range	-40°C to 85°C	

ELECTRO-OPTICAL CHARACTERISTICS : (Ta = 25°C)

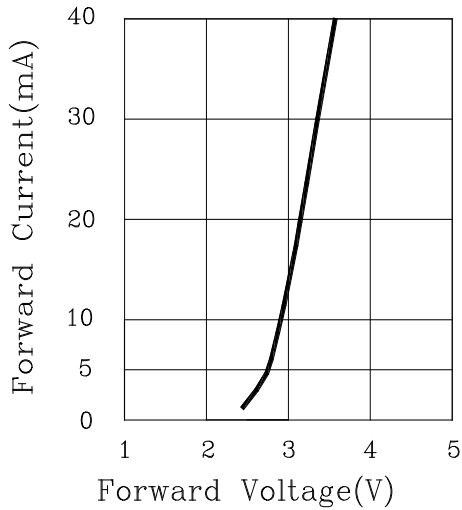
SYMBOL	PARAMETER	TEST CONDITION	MIN.	TYP.	MAX.	UNIT
VF	Forward Voltage , Per Segment	IF = 5mA	-	2.8	3.2	V
IR	Reverse Current , Per Segment	VR = 5V		-	10	μA
X	Chromaticity Coordinates	IF = 5mA		0.29		
Y		IF = 5mA		0.29		
Iv	Luminous Intensity Per Segment	IF = 5mA	14.0	35.0		mcd

0.30" SINGLE DIGIT SMD LED DISPLAY

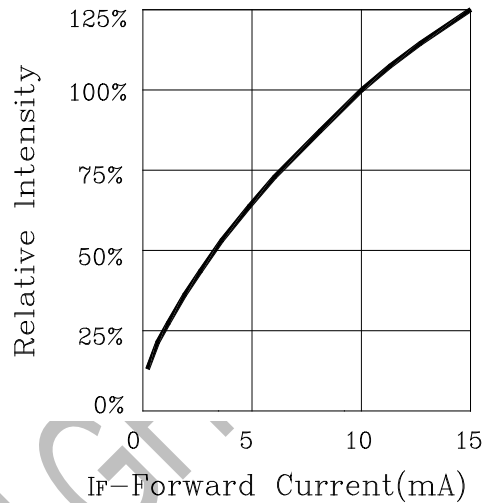
SA301UW113

REV: A / 1

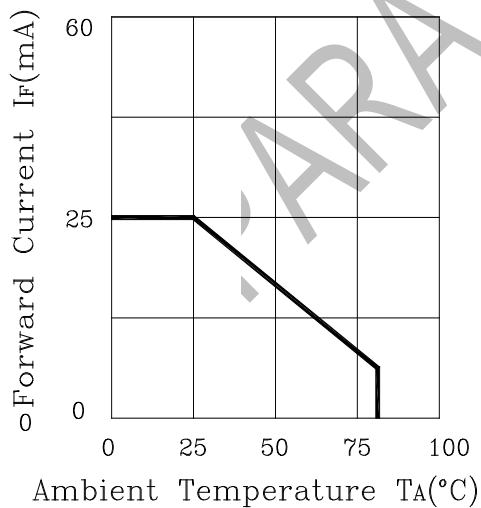
FORWARD CURRENT Vs.
FORWARD VOLTAGE



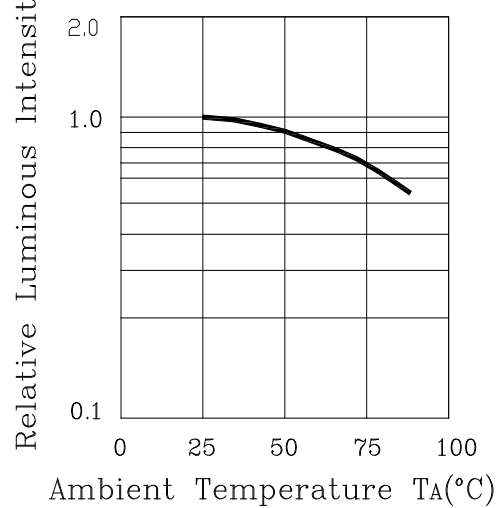
RELATIVE INTENSITY Vs.
FORWARD CURRENT



FORWARD CURRENT
DERATING CURVE



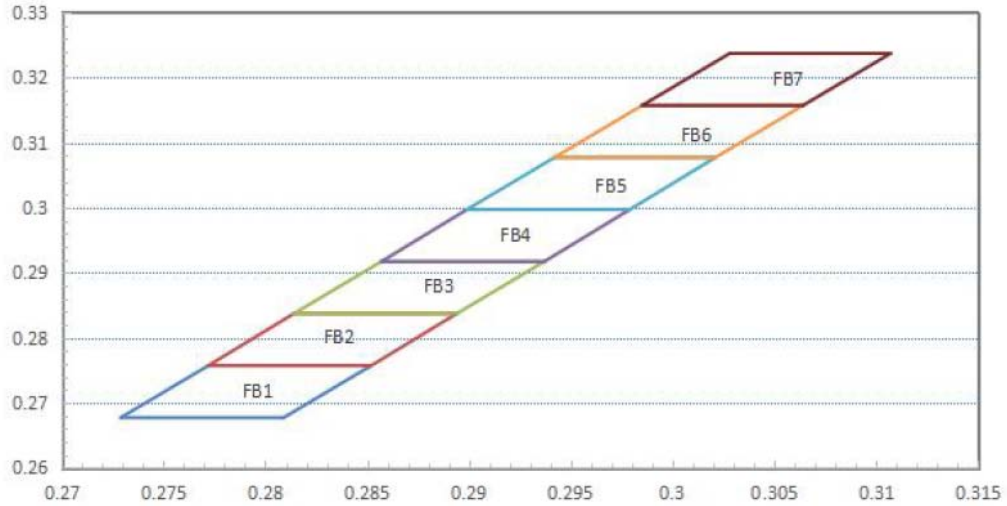
LUMINOUS INTENSITY Vs.
AMBIENT TEMPERATURE



0.30" SINGLE DIGIT SMD LED DISPLAY

SA301UW113

REV: A / 1



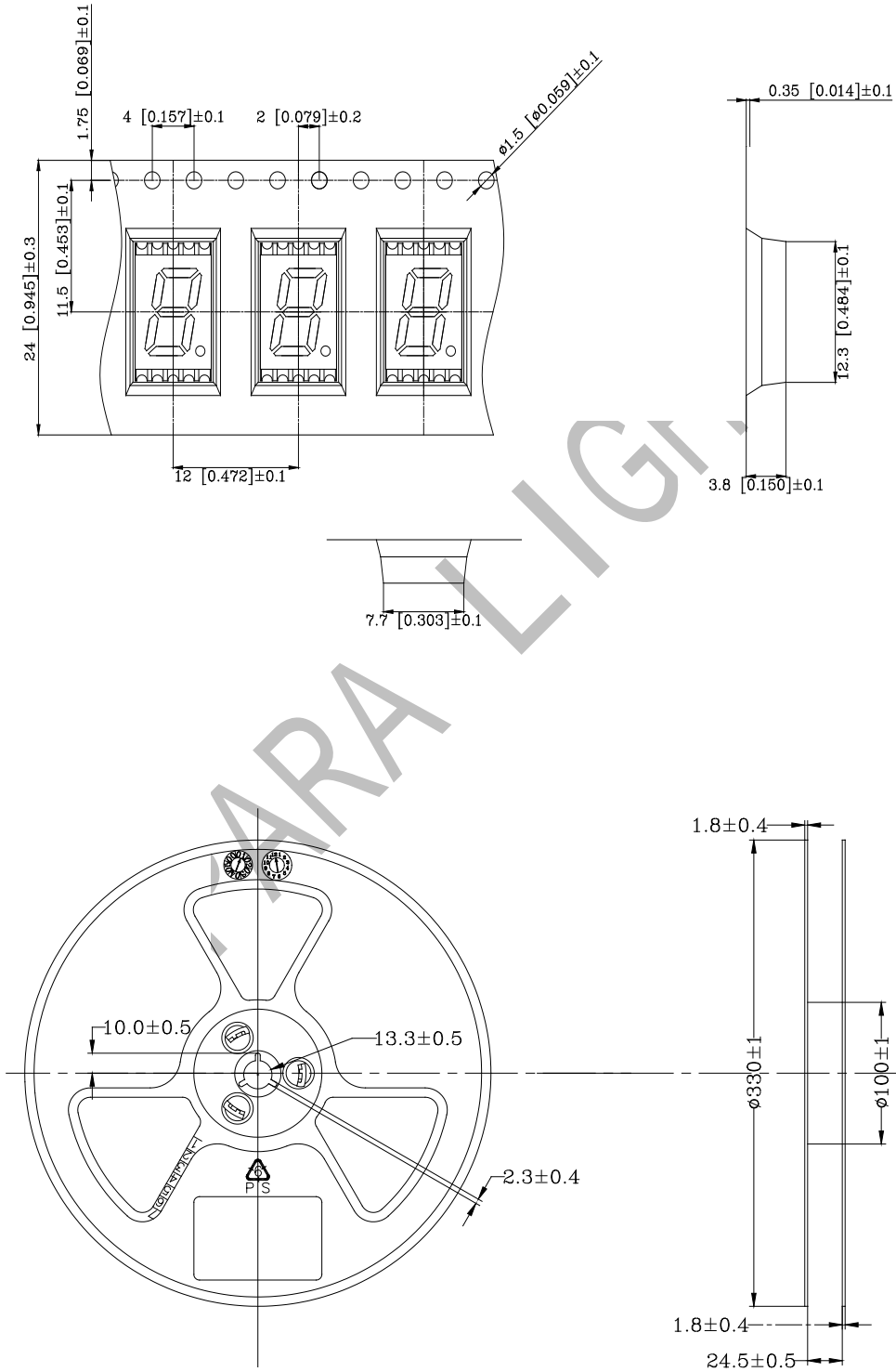
BIN	X	Y	BIN	X	Y	BIN	X	Y
FB1	0.2729	0.2677	FB3	0.2814	0.2837	FB5	0.2899	0.2997
	0.2809	0.2677		0.2894	0.2837		0.2979	0.2997
	0.2852	0.2757		0.2937	0.2917		0.3021	0.3077
	0.2772	0.2757		0.2857	0.2917		0.2942	0.3077
	0.2729	0.2677		0.2814	0.2837		0.2899	0.2997
FB2	0.2772	0.2757	FB4	0.2857	0.2917	FB6	0.2942	0.3077
	0.2852	0.2757		0.2937	0.2917		0.3021	0.3077
	0.2894	0.2837		0.2979	0.2997		0.3064	0.3157
	0.2814	0.2837		0.2899	0.2997		0.2985	0.3157
	0.2772	0.2757		0.2857	0.2917		0.2942	0.3077
BIN	X	Y						
FB7	0.2985	0.3157						
	0.3064	0.3157						
	0.3107	0.3237						
	0.3028	0.3237						
	0.2985	0.3157						

0.30" SINGLE DIGIT SMD LED DISPLAY

SA301UW113

REV: A / 1

PACKAGING SPECIFICATIONS



0.30" SINGLE DIGIT SMD LED DISPLAY

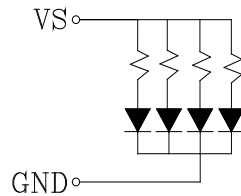
SA301UW113

REV: A / 1

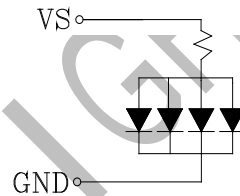
CIRCUIT DESIGN NOTES

1. Protective current-limiting resistors may be necessary to operate the LEDs within the specified range.
2. LEDs mounted in parallel should each be placed in series with its own current-limiting resistor.
3. The driving circuit should be designed to protect the LED against reverse voltages and transient voltage spikes when the circuit is powered up or shut down.
4. The safe operating current should be chosen after considering the maximum ambient temperature of the operating environment.
5. Prolonged reverse bias should be avoided, as it could cause metal migration, leading to an increase in leakage current or causing a short circuit.

Recommended Set-up

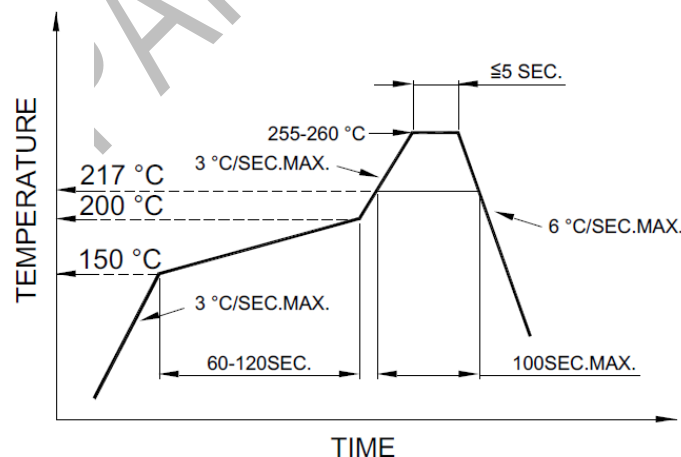


Invalid Set-up



SMT REFLOW SOLDERING INSTRUCTIONS

SMT Soldering Profile
Pb free reflow soldering Profile



NOTES

1. Avoid causing stress to the LEDs while it is exposed to high temperature.
2. The maximum number of reflow soldering passes is no more than 2 times.
3. Reflow soldering is recommended. Other soldering methods are not recommended as they might cause damage to the product.