



**PARA LIGHT ELECTRONICS CO., LTD.**

11F., No. 8, Jiankang Rd., Zhonghe Dist., New Taipei City 235, Taiwan,  
Tel: 886-2-2225-3733 Fax: 886-2-2225-4800  
E-mail: [para@para.com.tw](mailto:para@para.com.tw) <http://www.para.com.tw>

**DATA SHEET**

**PART NO. : SA391G1094**

**REV : A / 0**

CUSTOMER'S APPROVAL : \_\_\_\_\_ DCC : \_\_\_\_\_

DRAWING NO. : DS-11-18-0290G

DATE : 2019-04-17

Page : 1

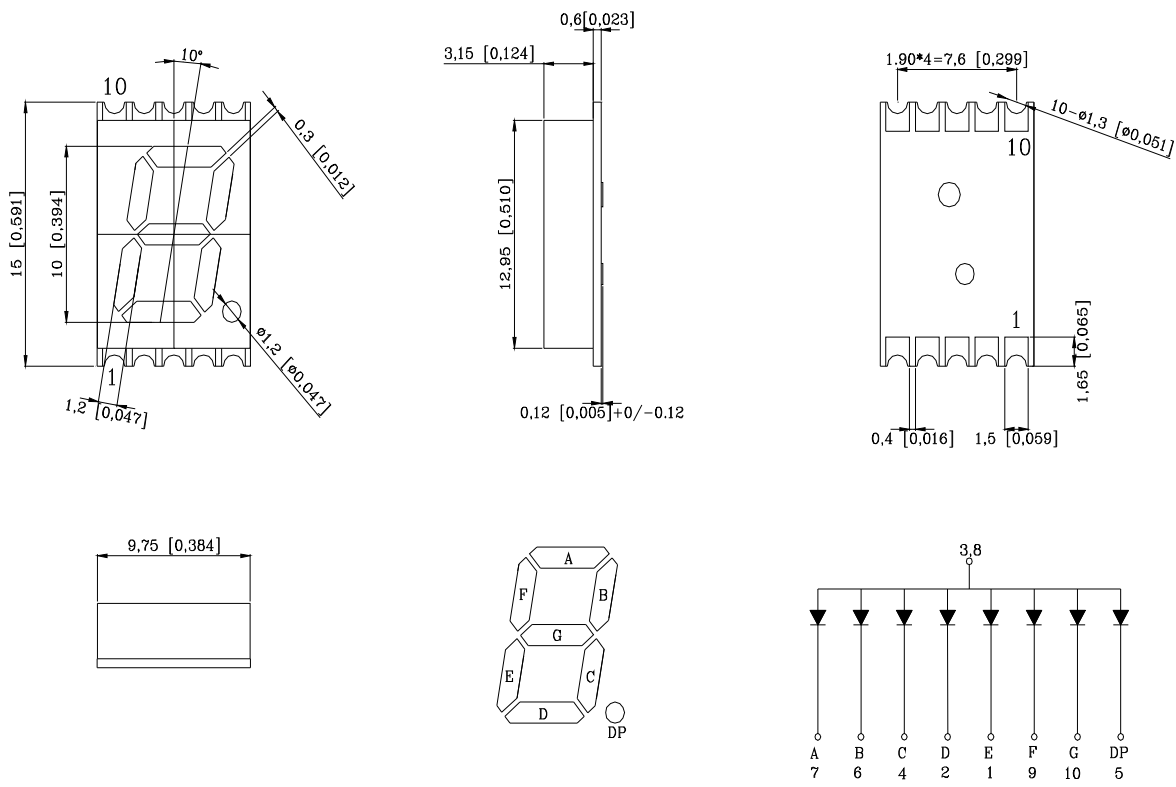


# 0.39 Single Digits SMD Type LED Display

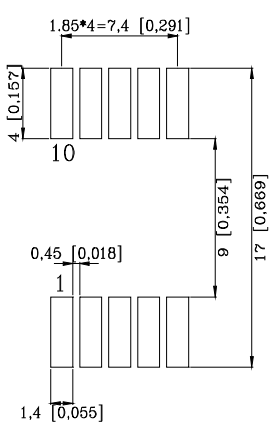
SA391G1094

REV:A / 0

## PACKAGE DIMENSIONS



## RECOMMENDED SOLDERING PATTERN



NOTES : 1. All dimensions are in millimeters.  
2. Tolerance is  $\pm 0.25(0.010")$  unless otherwise specified.



# 0.39 Single Digits SMD Type LED Display

SA391G1094

REV:A / 0

## FEATURES

- \* 10.00mm (0.39 inch ) DIGIT HEIGHT
- \* COMMON ANODE
- \* SMD TYPE
- \* LOW POWER CONSUMPTION
- \* Pb FREE PRODUCTS
- \* GRAY FACE,WHITE SEGMENTS

Raw Material : SMD:GaAlInP/GaAs

ABSOLUTE MAXIMUM RATING : ( Ta = 25°C )

SYMBOL	PARAMETER	YELLOW GREEN	UNIT
PD	Power Dissipation Per Segment	60	mW
VR	Reverse Voltage Per Segment	5	V
IAF	Continuous Forward Current Per Segment	25	mA
IPF	Peak Forward Current Per Segment (1/10 Duty Cycle,0.1ms Pulse Width)	90	mA
—	Derating Linear From 25°C Per Segment	0.33	mA/°C
Topr	Operating Temperature Range	-40°C to 105°C	
Tstg	Storage Temperature Range	-40°C to 105°C	

ELECTRO-OPTICAL CHARACTERISTICS : ( Ta = 25°C )

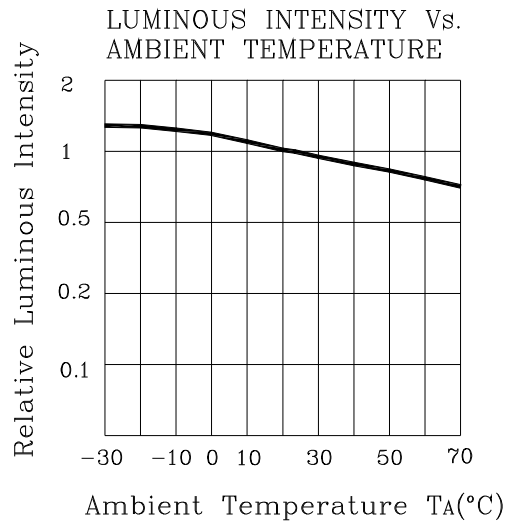
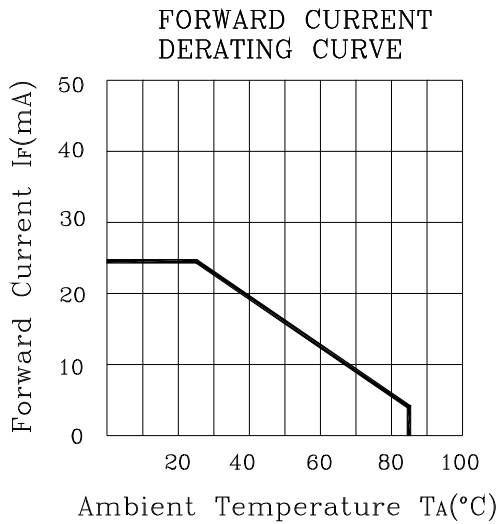
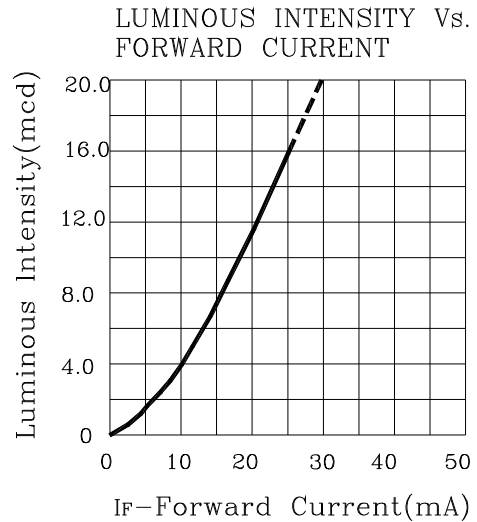
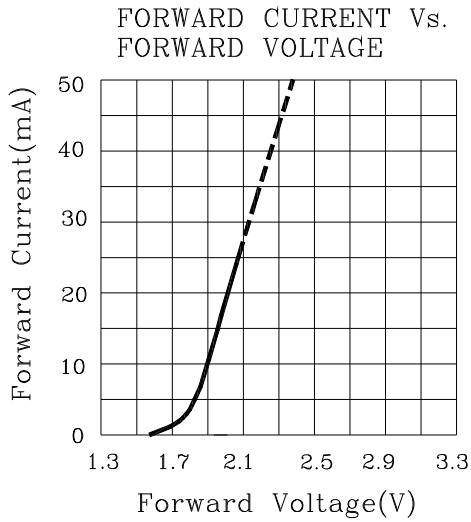
SYMBOL	PARAMETER	TEST CONDITION	MIN.	TYP.	MAX.	UNIT
VF	Forward Voltage , Per Segment	IF = 20mA		2.0	2.4	V
IR	Reverse Current , Per Segment	VR = 5V		-	10	μA
λP	Peak Emission Wavelength	IF = 20mA		573		nm
λD	Dominant Wavelength	IF = 20mA		570		nm
Δλ	Spectral Line Half – Width	IF = 20mA		20		nm
IV	Luminous Intensity Per Segment	IF = 10mA	1.6	4.0		mcd



# 0.39 Single Digits SMD Type LED Display

SA391G1094

REV:A / 0



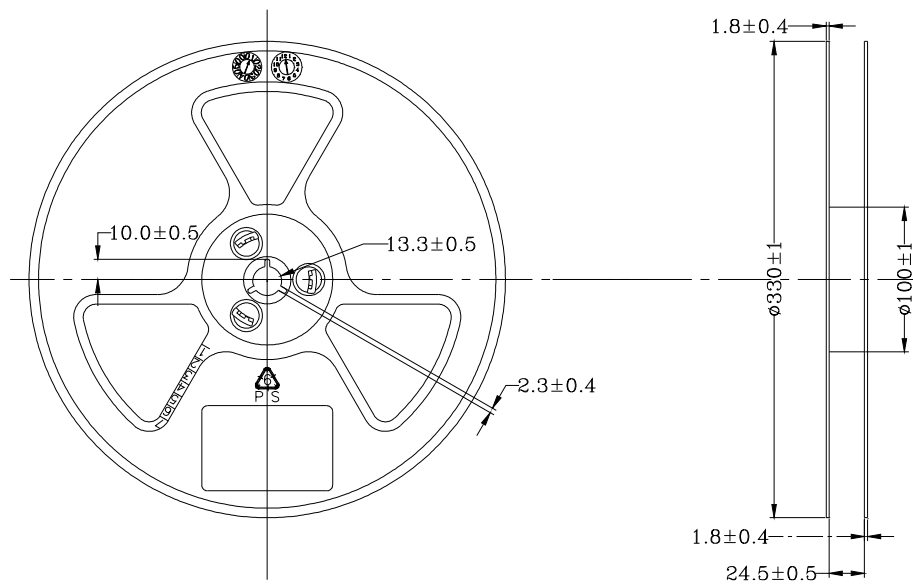
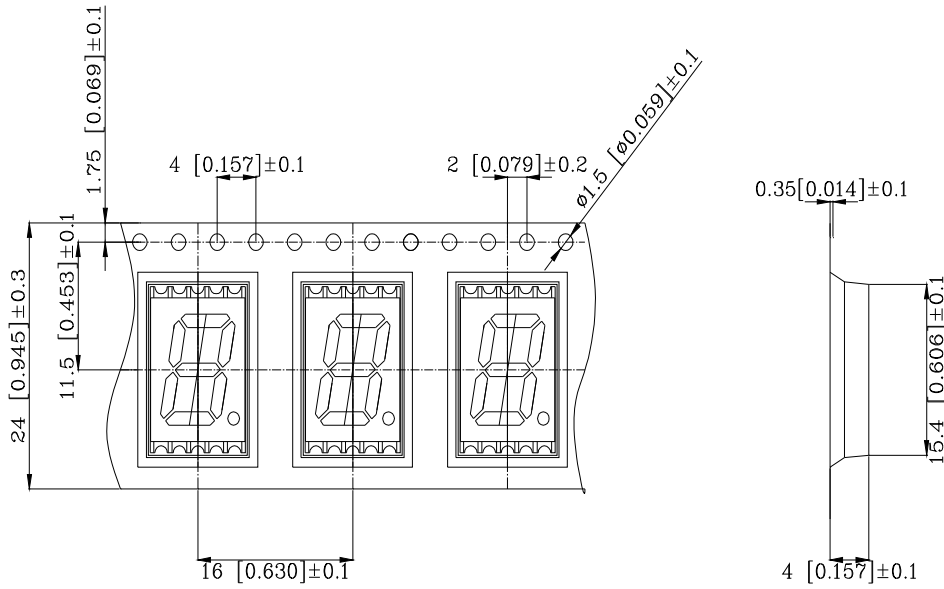


# 0.39" SINGLE DIGIT SMD LED DISPLAY

SA391G1094

REV: A / 0

## PACKAGING SPECIFICATIONS





# 0.39" SINGLE DIGIT SMD LED DISPLAY

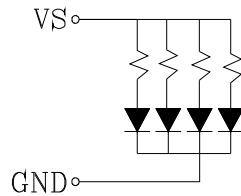
SA391G1094

REV: A / 0

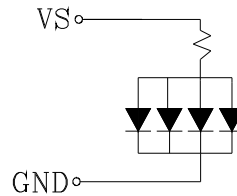
## CIRCUIT DESIGN NOTES

1. Protective current-limiting resistors may be necessary to operate the LEDs within the specified range.
2. LEDs mounted in parallel should each be placed in series with its own current-limiting resistor.
3. The driving circuit should be designed to protect the LED against reverse voltages and transient voltage spikes when the circuit is powered up or shut down.
4. The safe operating current should be chosen after considering the maximum ambient temperature of the operating environment.
5. Prolonged reverse bias should be avoided, as it could cause metal migration, leading to an increase in leakage current or causing a short circuit.

Recommended Set-up

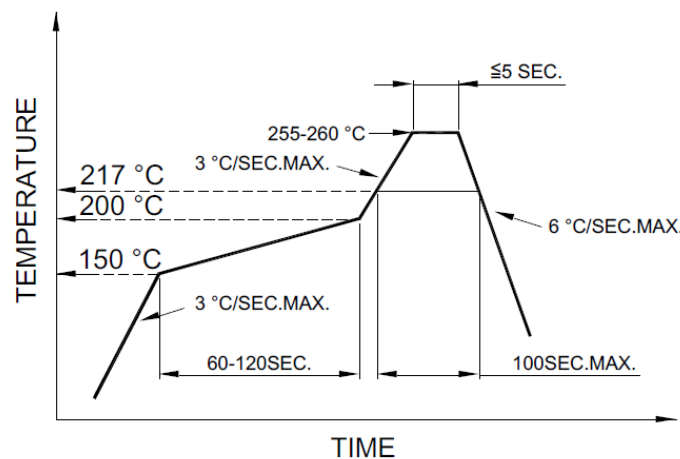


Invalid Set-up



## SMT REFLOW SOLDERING INSTRUCTIONS

SMT Soldering Profile  
Pb free reflow soldering Profile



## NOTES

1. Avoid causing stress to the LEDs while it is exposed to high temperature.
2. The maximum number of reflow soldering passes is no more than 2 times.
3. Reflow soldering is recommended. Other soldering methods are not recommended as they might cause damage to the product.