



**PARA LIGHT ELECTRONICS CO., LTD.**

11F., No. 8, Jiankang Rd., Zhonghe Dist., New Taipei City 235, Taiwan,  
Tel: 886-2-2225-3733 Fax: 886-2-2225-4800  
E-mail: [para@para.com.tw](mailto:para@para.com.tw) <http://www.para.com.tw>

**DATA SHEET**

**PART NO. : MMA30UB099GA**

**REV : A / 1**

CUSTOMER'S APPROVAL : \_\_\_\_\_

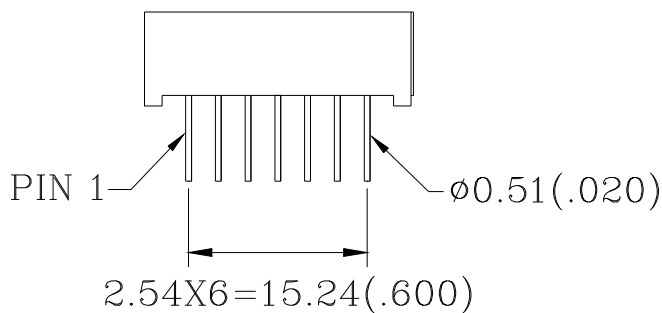
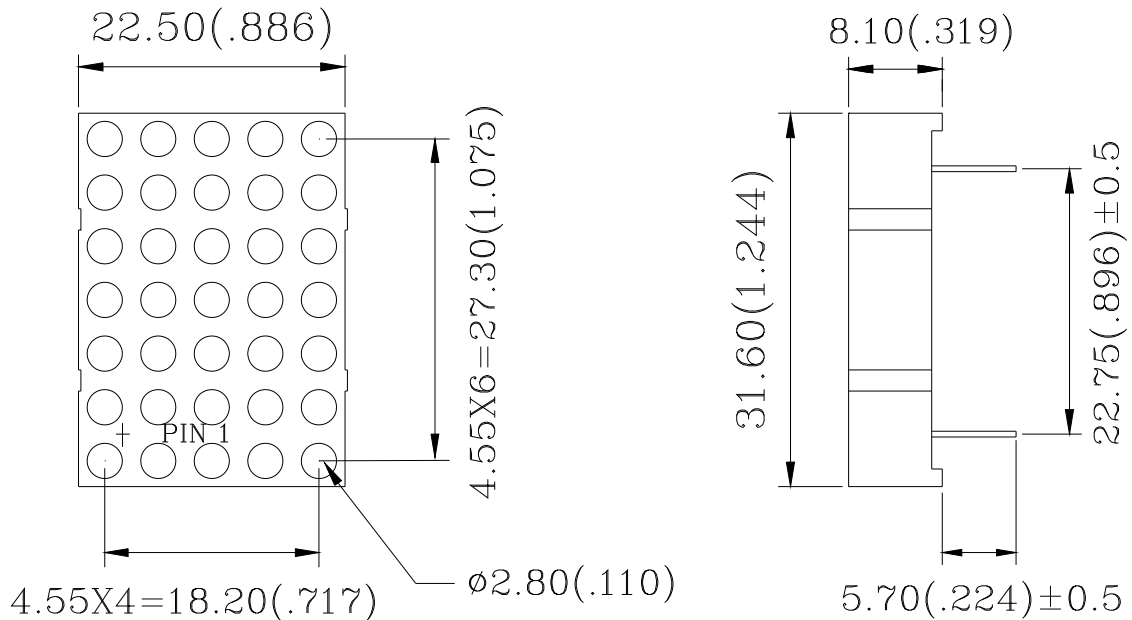
DCC : \_\_\_\_\_

DRAWING NO. : DS-16-12-0147G

DATE : 2021-04-17

Page : 1

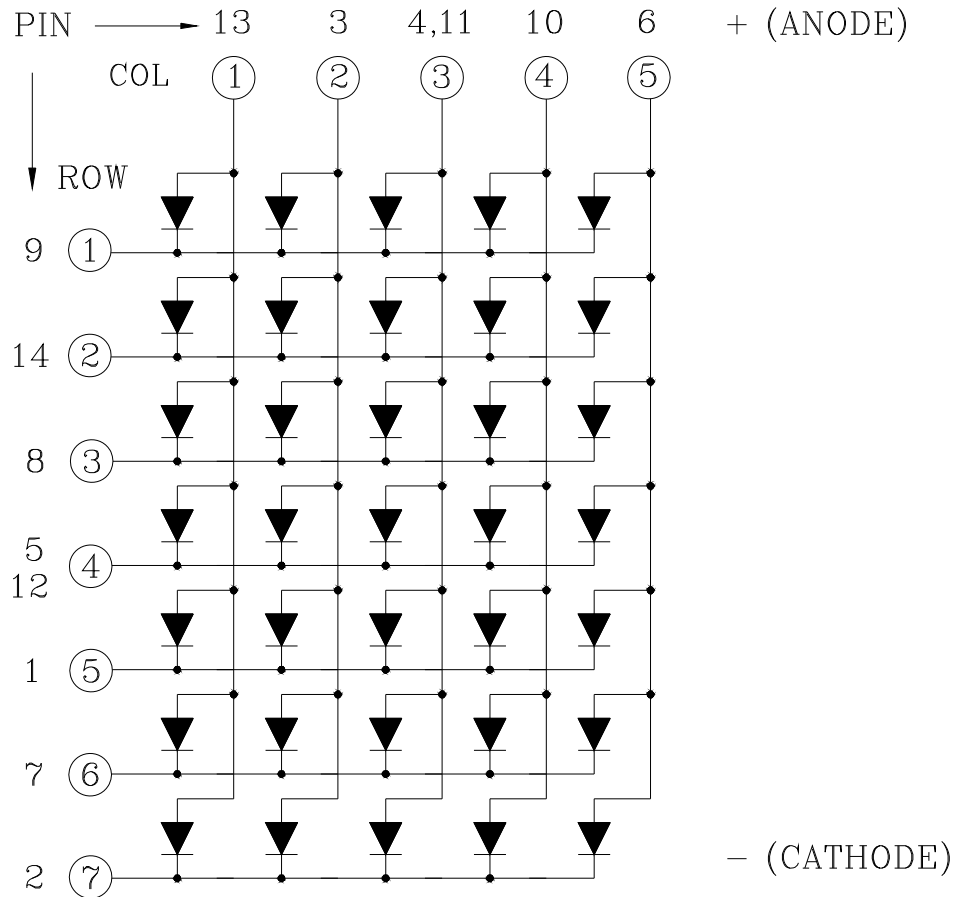
PACKAGE DIMENSIONS



|       | COL 1 | 2 | 3 | 4 | 5 |
|-------|-------|---|---|---|---|
| ROW 1 | ○     | ○ | ○ | ○ | ○ |
| 2     | ○     | ○ | ○ | ○ | ○ |
| 3     | ○     | ○ | ○ | ○ | ○ |
| 4     | ○     | ○ | ○ | ○ | ○ |
| 5     | ○     | ○ | ○ | ○ | ○ |
| 6     | ○     | ○ | ○ | ○ | ○ |
| 7     | ○     | ○ | ○ | ○ | ○ |

NOTES : 1. All dimensions are in millimeters. (inches)  
 2. Tolerance is  $\pm 0.25(0.010)$  unless otherwise specified.

### TYPICAL INTERNAL EQUIVALENT CIRCUIT



### MMA30UB099GA

| PIN NO | FUNCTION       | PIN NO | FUNCTION       |
|--------|----------------|--------|----------------|
| 1      | Cathode Row 5  | 8      | Cathode Row 3  |
| 2      | Cathode Row 7  | 9      | Cathode Row 1  |
| 3      | Anode Column 2 | 10     | Anode Column 4 |
| 4      | Anode Column 3 | 11     | Anode Column 3 |
| 5      | Cathode Row 4  | 12     | Cathode Row 4  |
| 6      | Anode Column 5 | 13     | Anode Column 1 |
| 7      | Cathode Row 6  | 14     | Cathode Row 2  |

**FEATURES**

- \* 31.60mm (3 $\phi$ ) MATRIX HEIGHT
- \* 5x7 ARRAY WITH X-Y SELECT
- \* LOW POWER , HIGH CONTRAST & BRIGHTNESS
- \* MATRIX ORIENTATION OF CATHODE COLUMN AND ANODE ROW
- \* STACKABLE VERTICAL AND HORIZONTAL
- \* Pb FREE PRODUCTS
- \* ROHS COMPLIANCE
- \* BLACK FACE, WHITE SEGMENTS

Raw Material : GaInN/GaN

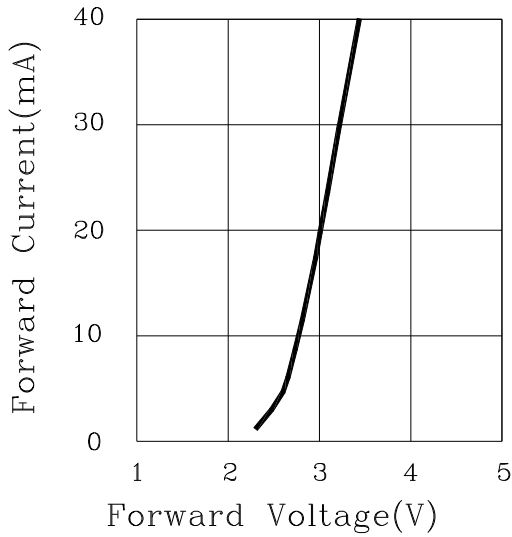
ABSOLUTE MAXIMUM RATING : ( Ta = 25°C )

| SYMBOL | PARAMETER   | ULTRA BLUE     | UNIT |
|--------|---|----------------|------|
| PD     | Power Dissipation Per Dot   | 40             | mW   |
| VR     | Reverse Voltage Per Dot   | 5              | V    |
| IAF    | Continuous Forward Current Per Dot                                  | 10             | mA   |
| IPF    | Peak Forward Current Per Dot<br>(1/10 Duty Cycle,0.1ms Pulse Width) | 40             | mA   |
| ESD    | Electrostatic Discharge Threshold (HBM)                             | 1000           | V    |
| Topr   | Operating Temperature Range   | - 35°C to 85°C |      |
| Tstg   | Storage Temperature Range   | - 35°C to 85°C |      |

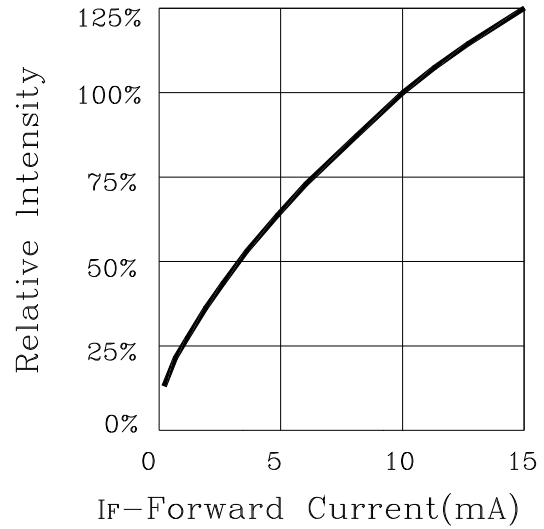
ELECTRO-OPTICAL CHARACTERISTICS : ( Ta = 25°C )

| SYMBOL          | PARAMETER                  | TEST CONDITION | MIN. | TYP. | MAX. | UNIT    |
|-----------------|----------------------------|----------------|------|------|------|---------|
| VF              | Forward Voltage Any Dot    | IF = 10mA      |      | 3.0  | 3.5  | V       |
| IR              | Reverse Current Any Dot    | VR = 5V        |      |      | 10   | $\mu$ A |
| $\lambda$ P     | Peak Emission Wavelength   | IF = 10mA      |      | 462  |      | nm      |
| $\lambda$ D     | Dominant Wavelength        | IF = 10mA      |      | 465  |      | nm      |
| $\Delta\lambda$ | Spectral Line Half-Width   | IF = 10mA      |      | 30   |      | nm      |
| IV              | Luminous Intensity Per Dot | IF = 10mA      | 4.0  | 10.0 |      | mcd     |

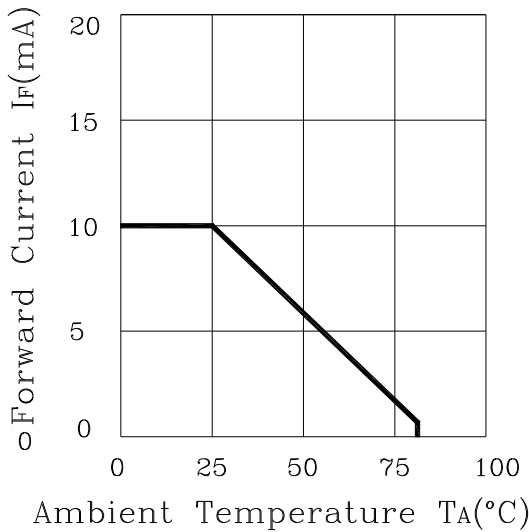
FORWARD CURRENT Vs.  
FORWARD VOLTAGE



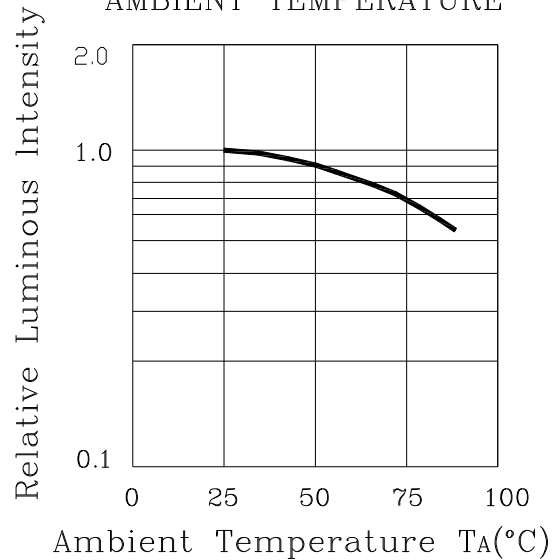
RELATIVE INTENSITY Vs.  
FORWARD CURRENT



FORWARD CURRENT  
DERATING CURVE



LUMINOUS INTENSITY Vs.  
AMBIENT TEMPERATURE



●**SOLDERING**

| METHOD         | SOLDERING CONDITIONS  | REMARK  |
|----------------|---|---|
| DIP SOLDERING  | Bath temperature: 260°C max<br>Immersion time: within 5 sec   | <ul style="list-style-type: none"> <li>• Solder no closer than 2mm from the base of the package</li> <li>• Using soldering flux, "RESIN FLUX" is recommended.</li> </ul>                        |
| SOLDERING IRON | Soldering iron: 30W or smaller<br>Temperature at tip of iron: 260°C or lower<br>Soldering time: within 5 sec. | <ul style="list-style-type: none"> <li>• During soldering, take care not to press the tip of iron against the PIN.<br/>(To prevent heat from being transferred directly to the PIN.)</li> </ul> |

1) When soldering the PIN of Display in a jig that the package is fixed with a panel (See fig.1), be careful not to stress the PIN with iron tip. When soldering Display in a condition that the package is fixed with a panel, be careful not to cling and stress the surface of Display on the panel to avoid damaging the Display.

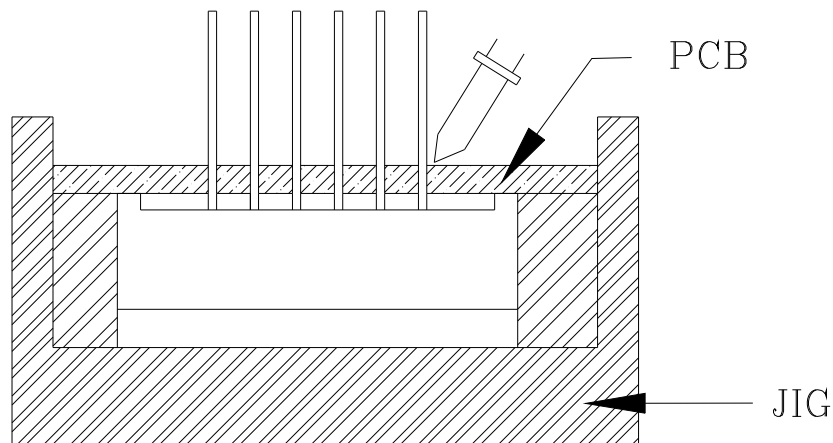


Fig.1

Regarding solution in the tinning oven for product-tinning, compound sub-solution made of tin & copper and silver is proposed with the temperature of Celsius 260. The proportion of the alloyed solution is tin 95.5: copper 3.5: silver 0.5 by percentage. The time of tinning is constantly 3 seconds.

- 2) Similarly, when a jig is used to solder the Display to PC board, take care as much as possible to avoid steering the PIN (See Fig.2).

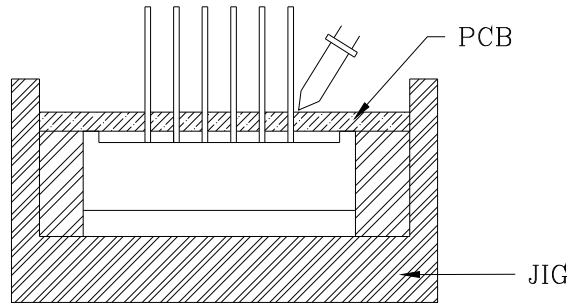


Fig.2

- 3) Repositioning after soldering should be avoided as much as possible. If inevitable, be sure to preserve the soldering conditions with irons stated above: select a best-suited method that assures the least stress to the Display.
- 4) PIN cutting after soldering should be performed only after the Display temperature has returned to normal temperature.

**•LED MOUNTING METHOD**

- 1) When mounting the Display by using a case, as shown Fig.3, ensure that the mounting holds on the PC board match the pitch of the PIN correctly-tolerance of dimensions of the respective components including the Display should be taken into account especially when designing the case, PC board, etc. to prevent pitch misalignment between the PIN and board holes, the diameter of the board holes should be slightly larger than the size of the PIN. Alternatively, the shape of the holes should be made oval. (See Fig.3)

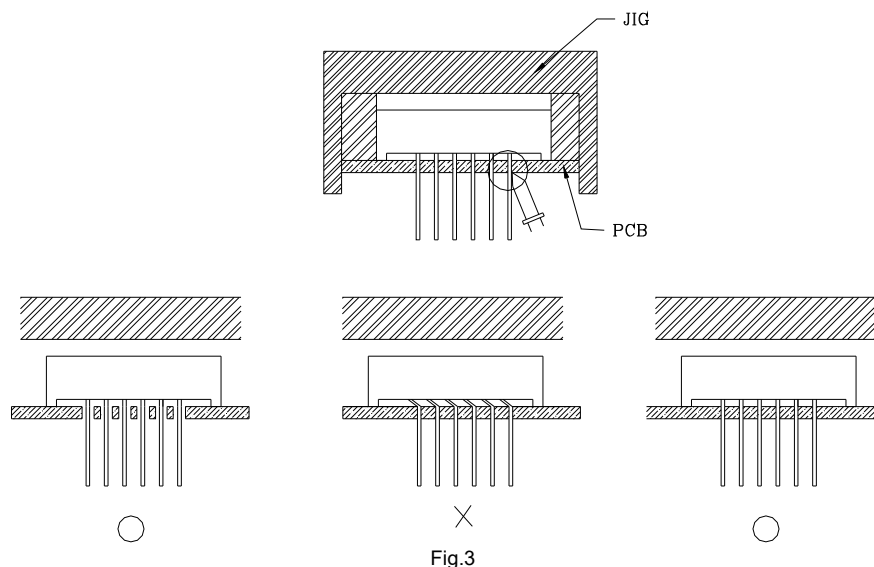


Fig.3

2) Use Display with holder made of resin (Fig.4) to position the PIN.

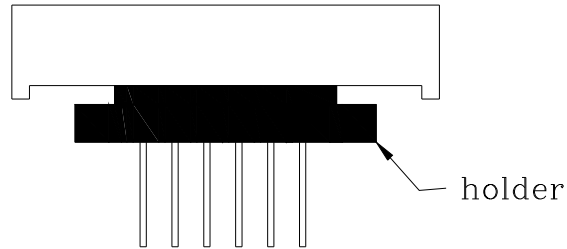


Fig.4

### ●FORMED LEAD

1) The PIN should be bent at a point located at least 2mm away from the package. Bending should be performed with base fixed means of a jig or pliers (Fig.5)

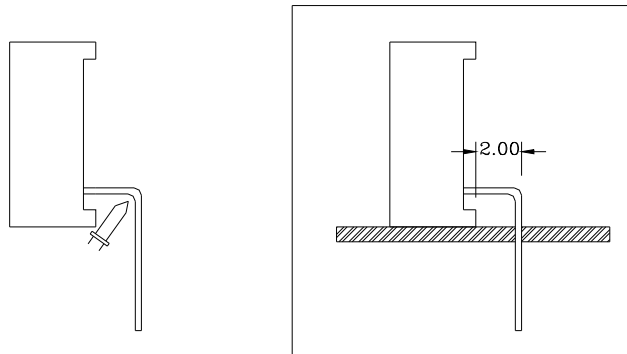


Fig.5

2) Forming PIN should be carried out prior to soldering and never during or after soldering.  
3) Form the PIN to ensure alignment between the PIN and the hole on board, so that stress against the Display is prevented. (Fig.6)

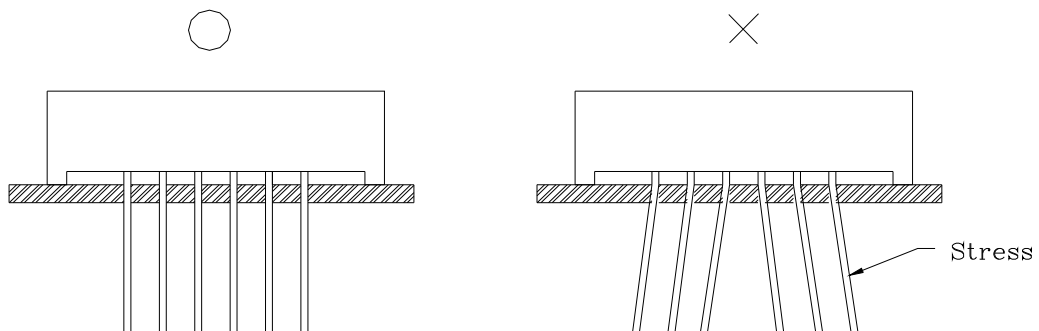


Fig.6

**•LEAD STRENGTH**

## 1) Bend strength

Do not bend the PIN more than twice. (Fig.7)

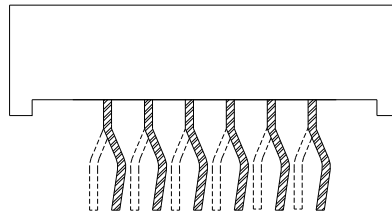


Fig.7

## 2) Tensile strength (@Room Temperature)

If the force is 1kg or less, there will be no problem. (Fig.8)

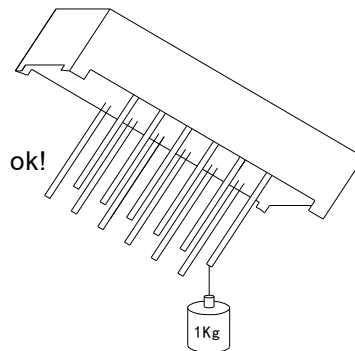


Fig.8

**•HANDLING PRECAUTIONS**

Although rigid against vibration, the Display may be damaged or scratched if dropped. So take care when handling.

**• STORAGE**

- 1) The Display should be stored at 30°C or less and 70% RH or less after being shipped from PARA and the storage life limits are 3 months.
- 2) PARA Display lead frames are comprised of a stannum plated iron alloy. The silver surface may be affected by environments which contain corrosive gases and so on. Please avoid conditions which may cause the Display to corrode, tarnish or discolor. This corrosion or discoloration may cause difficulty during soldering operations. It is recommended that the Display be used as soon as possible.
- 3) Please avoid rapid transitions in ambient temperature, especially, in high humidity environments where condensation can occur.



1.25 INCH 5x7 DOT MATRIX DISPLAY

MMA30UB099GA

REV:A / 1

### ● HEAT GENERATION

- 1) Thermal design of the end product is of paramount importance. Please consider the heat generation of the Display when making the system design. The coefficient of temperature increase per input electric power is affected by the thermal resistance of the circuit board and density of Display placement on the board, as well as other components. It is necessary to avoid intense heat generation and operate within the maximum ratings given in this specification.
- 2) The operating current should be decided after considering the ambient maximum temperature of Display .

### ● OTHERS

- 1) Care must be taken to ensure that the reverse voltage will not exceed the absolute maximum rating when using the Display with matrix drive.
- 2) Flashing lights have been known to cause discomfort in people; you can prevent this by taking precautions during use. Also, people should be cautious when using equipment that has had Display incorporated into it.
- 3) The Display described in this brochure are intended to be used for ordinary electronic equipment (such as office equipment, communications equipment, measurement instruments and household appliances). Consult PARA's sales staff in advance for information on the applications in which exceptional quality and reliability are required , particularly when the failure or malfunction of the Display may directly jeopardize life or health (such as for airplanes, aerospace, submersible repeaters, nuclear reactor control systems, automobiles, traffic control equipment, life support systems and safety devices).
- 4) User shall not reverse engineer by disassembling or analysis of the Display without having prior written consent from PARA. When defective Display are found, the User shall inform PARA directly before disassembling or analysis.
- 5) The formal specifications must be exchanged and signed by both parties before large volume purchase begins.
- 6) The appearance and specifications of the product may be modified for improvement without notice.

**• STATIC ELECTRICITY**

- 1) Static electricity or surge voltage damages the Display.  
It is recommended that a wrist band or an anti-electrostatic glove be used when handling the Display.
- 2) All devices, equipment and machinery must be properly grounded. It is recommended that measures be taken against surge voltage to the equipment that mounts the Display.
- 3) When inspecting the final products in which Display were assembled, it is recommended to check whether the assembled Display are damaged by static electricity or not. It is easy to find static-damaged Display by a light-on test or a VF test at a lower current (below 1mA is recommended).
- 4) Damaged Display will show some unusual characteristics such as the leak current remarkably increases, the forward voltage becomes lower, or the Display do not light at the low current .

Criteria : (  $V_F > 2.0V$  at  $I_F = 0.5mA$  )