



PARA LIGHT ELECTRONICS CO., LTD.
11F, No.8, Jiankang Rd,Zhonghe Dist,New Taipei City 253, Taiwan
Tel: 886-2-2225-3733 Fax: 886-2-2225-4800
E-mail: para@para.com.tw [http:// www.paralighttaiwan.com](http://www.paralighttaiwan.com)

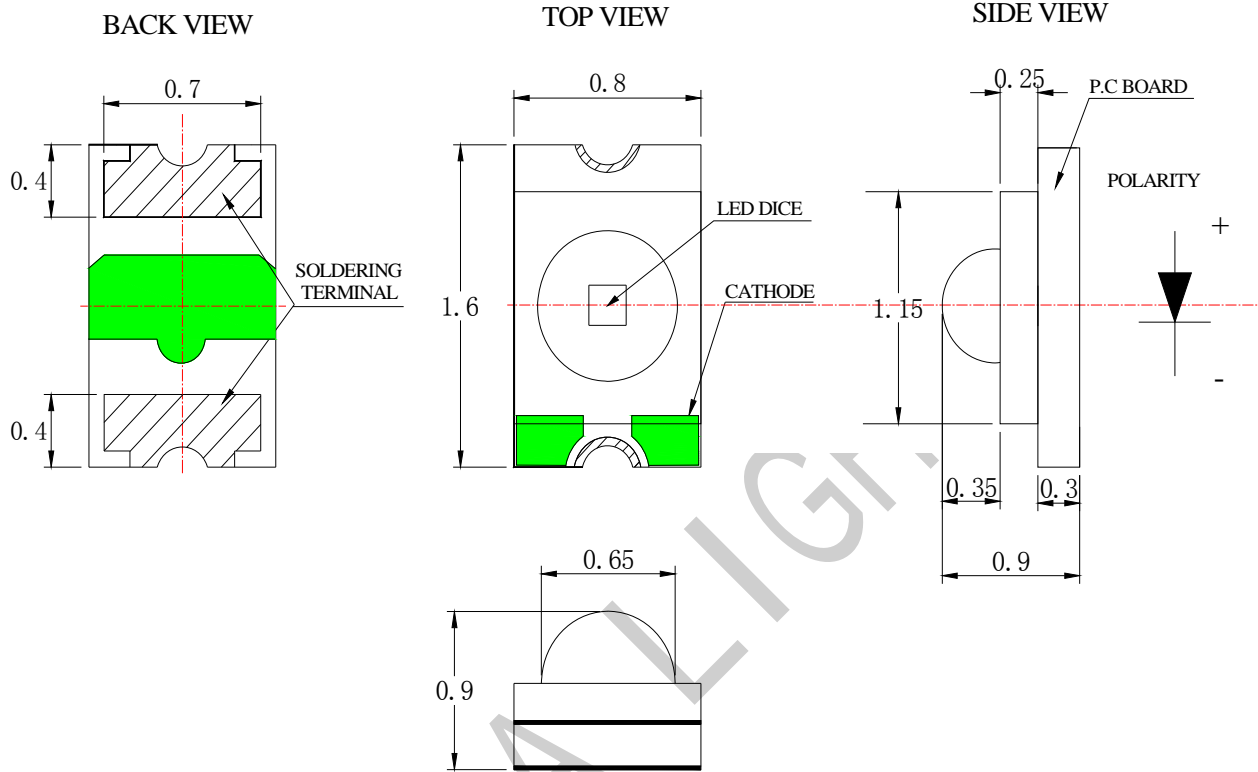
DATA SHEET

PART NO. : LC19DLGCT-XG

REV : A / 0

CUSTOMER'S APPROVAL : _____ DCC : _____

PACKAGE DIMENSIONS



NOTES :

1. All dimensions are in millimeters
2. Tolerances are ± 0.2 mm unless otherwise noted
3. The Specifications in the datasheet are subject to change without notice.

FEATURES

- Dimension (L / w / h): 1.6 x 0.8 x 0.9 mm
- Color: Emerald green light
- Colloid: transparent spherical colloid
- EIA standard packaging
- Environmental protection products meet ROHS requirements
- Suitable for automatic placement machine
- Suitable for infrared reflow soldering process

ABSOLUTE MAXIMUM RATING : (Ta = 25°C)

| Symbol | Parameter | Rating | Unit |
|--------|---|----------------|------|
| PD | Power consumption | 90 | mW |
| If | Forward Current | 30 | mA |
| Ifp | Peak Forward Current (1/10 duty cycle 0.1ms) | 90 | mA |
| VR | Reverse Voltage | 5 | V |
| ESD | Electrostatic discharge | 2000 | V |
| Topr | Operating Temperature Range | -30°C ~ + 85°C | °C |
| Tstg | Storage Temperature Range | -40°C ~ + 90°C | °C |
| Tsol | Reflow soldering : 255°C ,10s, Hand soldering : 300°C ,3s | | |

ELECTRO-OPTICAL CHARACTERISTICS : (Ta = 25°C)

| Parameter | Symbol | Min. | Typ. | Max. | Unit | Test Condition |
|---------------------|--------|------|------|------|------|----------------|
| Luminous Intensity | Iv | 1200 | - | 1800 | mcd | IF=20mA |
| Viewing Angle | 2θ1/2 | - | 60 | - | deg | IF=20mA |
| Dominant Wavelength | WD | 520 | - | 530 | nm | IF=20mA |
| Forward Voltage | VF | 2.8 | - | 3.2 | V | IF=20mA |
| Reverse Current | IR | - | - | 3 | µA | VR=5V |

Bin Code List

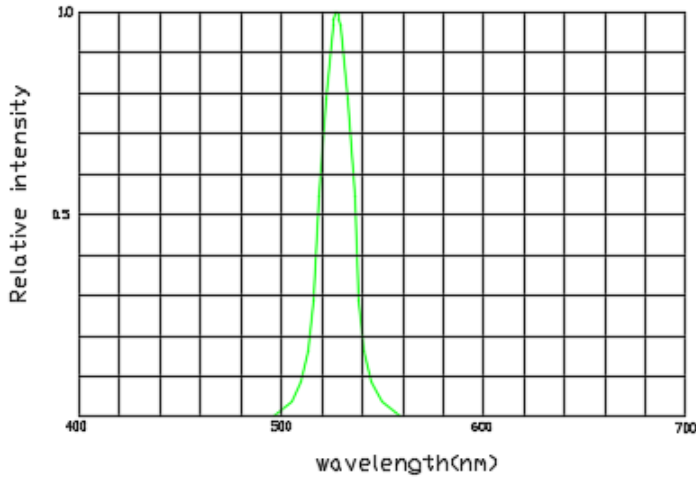
| Parameter | Symbol | Min. | Max. | Unit | Test Condition |
|---------------------|--------|------|------|------|----------------|
| Luminous Intensity | IV | 1200 | 1500 | mcd | IF =20mA |
| | | 1500 | 1800 | | |
| Forward Voltage | VF | 2.8 | 3.0 | V | IF =20mA |
| | | 3.0 | 3.2 | | |
| Dominant Wavelength | WD | 520 | 525 | nm | IF =20mA |
| | | 525 | 530 | | |

Label marking error:

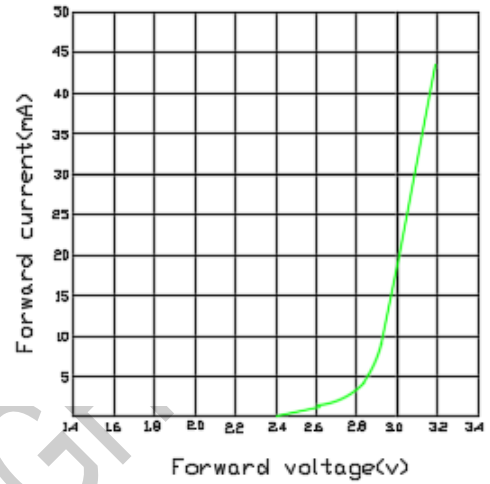
1. Tolerance of measurement of luminous intensity is $\pm 20\%$.
2. Tolerance of measurement of dominant wavelength is $\pm 2\text{nm}$.
3. Tolerance of measurement of Vf is $\pm 0.1\text{ V}$.

Typical Electro-Optical Characteristics Curves

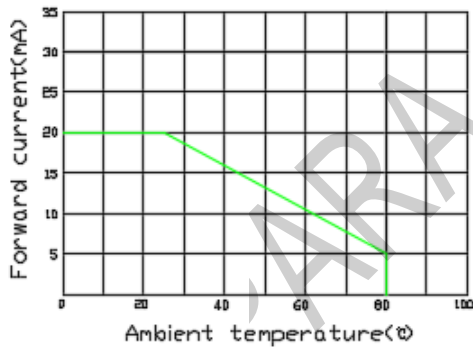
Relative Intensity VS wavelength



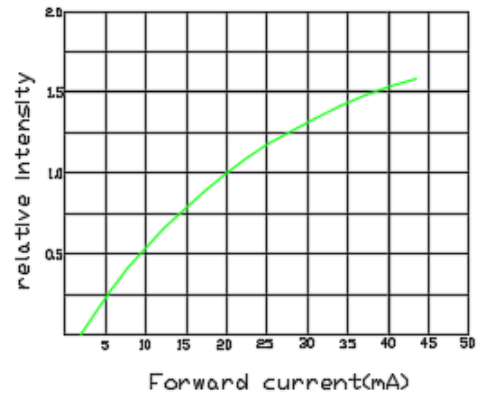
Voltage current relationship



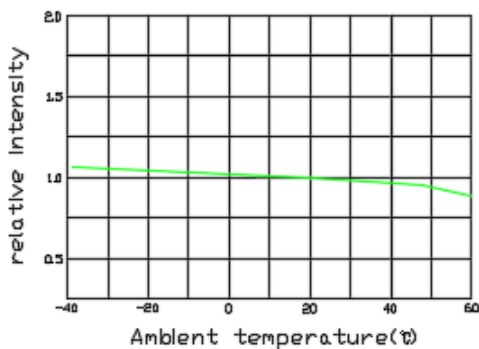
Current and ambient temperature



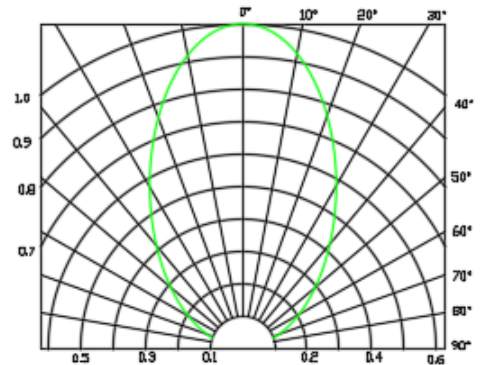
Relative light Intensity vs current



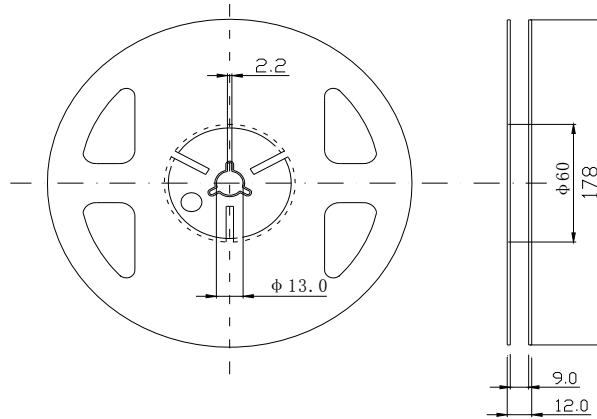
Relative light Intensity vs ambient temperature



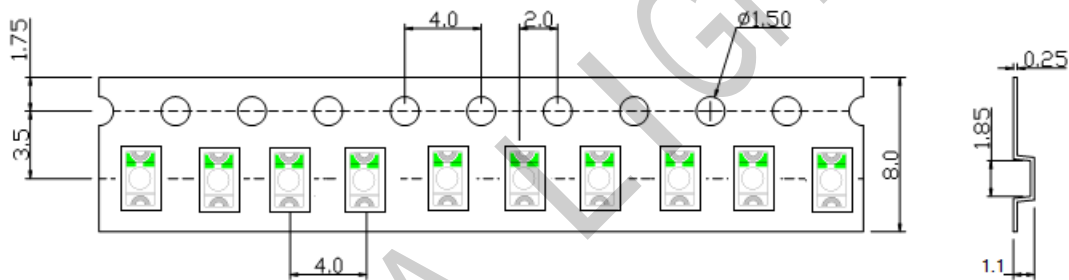
Radiation angle



Reel Dimensions



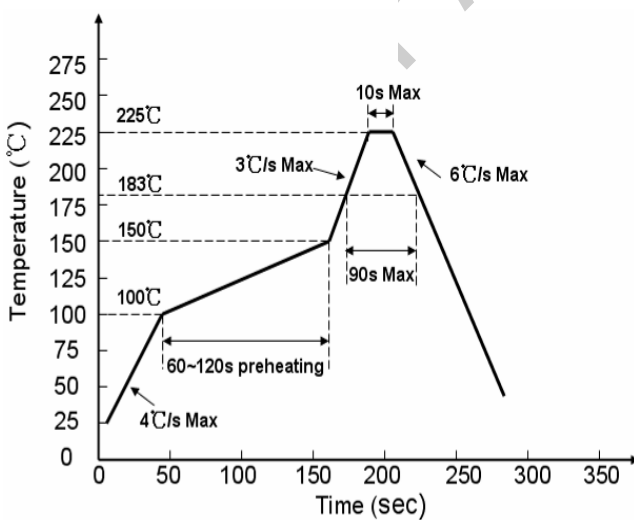
Package Dimensions Of Tape And Reel



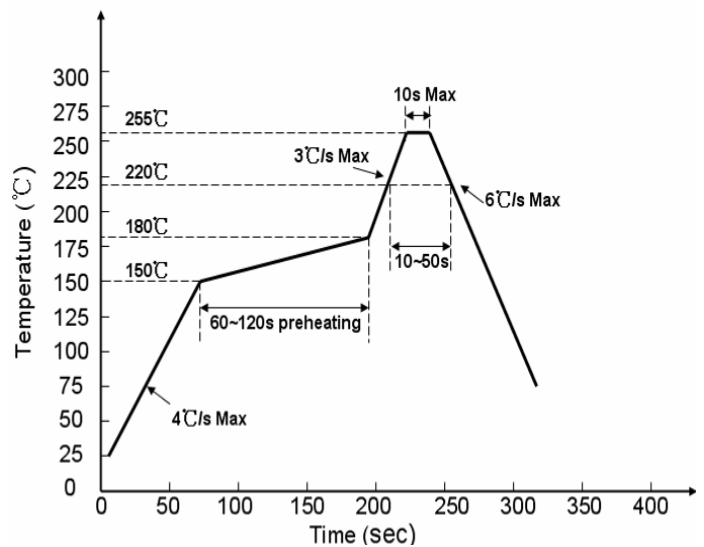
Notes:

1. Taping Quantity : 4000pcs
2. The tolerances unless mentioned is ± 0.15 mm

Recommended reflow temperature curve



PB



PB FREE



1.6*0.8*0.9 mm SMD LED

LC19DLGCT-XG

REV:A / 0

Reliability Test Items And Conditions

| Items | Test Condition | Test Hours/Cycles | Quantity | Ac/Re |
|---------------------------------------|--|-------------------|----------|-------|
| Moisture proof grade | 1. Reflow soldering maximum temperature = 260 °C, 10 seconds, twice reflow soldering; 2. Storage condition before reflow soldering: 30 °C, relative humidity = 70%, 168h; | - | 22 PCS | 0/1 |
| Reliability of welding (lead free) | Reflow soldering maximum temperature = 245 ± 5 °C, 5 seconds (lead free reflow soldering) | - | 22PCS | 0/1 |
| Thermal Shock | H : +85°C 15min. conversion time is 3 minutes L : -35°C 15min. | 300Cycles | 22PCS | 0/1 |
| High Temperature Storage | Temp. : 100°C | 1000Hrs | 22PCS | 0/1 |
| Low Temperature Storage | Temp. : -40°C | 1000Hrs | 22P S | 0/1 |
| Room temperature aging | Ta=25°C IF=20mA | 1000Hrs | 22PCS | 0/1 |
| Thermal cycling | -40 °C 30 min ~ 25 °C 5 min~ 100 °C 30 min ~ 25 °C 5 min | 300Cycles | 22PCS | 0/1 |

Failure Criteria

| Test Items | Symbol | Test condition | Failure Criteria | |
|---------------------|--------|----------------|---|--------------|
| | | | Min. | Max. |
| Forward Voltage | VF | IF=20mA | --- | (U.S.L*)×1.1 |
| Reverse Current | IR | VR=5V | --- | U.S.L* ×2.0 |
| Luminous Intensity | Iv | IF=20mA | (L.S.L*)×0.7 | --- |
| Welding reliability | / | / | The proportion of solder paste covered pad is less than 95% | |

Notes:1.U.S.L means the upper limit of specified characteristics.

2.Measurment shall be taken between 2 hours and after the test pieces have been returned normal ambient conditions after completion of each test.



1.6*0.8*0.9 mm SMD LED

LC19DLGCT-XG

REV:A / 0

Cautions

Use

1.High temperature will affect the brightness and other performance of LED, so in order to make LED have better performance, it is necessary to keep led away from heat source.

2.Tolerance of photoelectric parameters:

| | | |
|----------------------|----------------------|-----------------------|
| REF / VF: $\pm 0.1V$ | CAT / IV: $\pm 15\%$ | HUE / XY: ± 0.003 |
|----------------------|----------------------|-----------------------|

Storage

- 1.Before opening original package, it is recommended to store them in the following environment:Temperature: 5°C~30°C/ Humidity: 60%RH max; When stock exceeds two months, dehumidification should be done before use at 60 C/8 hours.
2. After opening original package, the storage ambient for the LEDs should be in 5~30°C temperature and 60% or less relative humidity.
3. In order to avoid moisture absorption, it is recommended that the LEDs that out of the original package should be stored in a sealed container with appropriate desiccant, or in desiccators with nitrogen ambient.
4. The LEDs should be used within 168hrs (7 days) after opening the package. Once been mounted, soldering should be quick.
5. If the moisture absorbent material (silica gel) has faded away or the LEDs stored out of original package for more than 168hrs (7 days), baking treatment should be performed using the conditions: 60°C at least 24 hours.

ESD (Electrostatic Discharge)-Protection

A LED (especially the Blue 、White and Green product) is an ESD sensitive component, and static electricity or power surge will damage the LED. ESD-damaged LEDs will exhibit abnormal characteristics such as high reverse leakage current, low forward voltage, or “no light-up” at low currents, etc.

Some advice as below should be noticed:

1. A conductive wrist strap or anti-electrostatic glove should be worn when handling these LEDs.
2. All devices, equipment, machinery, work tables and storage racks, etc. must be properly grounded.
3. Use anti-static package or boxes to carry and storage LEDs. And ordinary plastic package or boxes is forbidden to use.
4. Use ionizer to neutralize the static charge during handling or operating.

Cleaning

Use alcohol-based cleaning solvents such as IPA (isopropyl alcohol) to clean LEDs if necessary.



1.6*0.8*0.9 mm SMD LED

LC19DLGCT-XG

REV:A / 0

Welding

- 1.Refer to the temperature curve on page 1 for reflow welding conditions;
- 2.The number of reflow soldering shall not exceed two times;
- 3.It is only recommended to use manual welding in the case of repair and heavy work. The maximum welding temperature should not exceed 300 °C and should be completed within 3 seconds.
- 4.The maximum power of soldering iron shall not exceed 30W;
- 5.During welding, it is forbidden to touch colloid at high temperature; after welding, it is forbidden to apply external force on colloid and bend PCB to avoid damage to components to hit.

Other

- 1.The definition of LED described in this specification shall be used in the scope of common electronic equipment (such as office equipment, communication equipment, etc.). If there is more severe Especially when the component failure or failure may directly endanger life and health (such as aerospace, transportation, transportation, medical treatment) Equipment, safety protection, etc.), please inform our business personnel in advance;
- 2.When high brightness LED products are on, it may cause damage to human eyes, so it is necessary to avoid looking directly at them from above;
- 3.For the purpose of continuous improvement, product appearance and parameter specifications may be changed without prior notice.