



PARA LIGHT ELECTRONICS CO., LTD.



T +886-2-2225-3733

F +886-2-2225-4800



para@para.com.tw



11F, No. 8, Jiankang Rd., Zhonghe Dist., New Taipei City 23586, Taiwan



www.paralighttaiwan.com



LED Lamp

Through Hole Lamp

- Indicator
- IP camera
- Sign board
- IoT
- Home appliances

2021 Component
Catalog



Contents

Tower		7
--------------	--	---

Round	Round	9
	Round Dual Color	16
	Round RGB	18

Cylindrical		21
--------------------	--	----

Rectangular	Rectangular	25
	Rectangular Dual Color	28
	Rectangular RGB	29

Taping Lamp		30
--------------------	--	----



Taiwan HQ

- 11F, No. 8, Jiankang Rd., Zhonghe Dist. New Taipei City, 23586 Taiwan
- +886-2-2225-3733 +886-2-2225-4800
- para@para.com.tw
- www.paralighttaiwan.com



Lianyungan Plant

- No.8, Wei Hai Rd., Guannan Economics Deveopment Zone, Lianyungang City, Jiangu Province, 222500, China
- +86-518-8369-2888
- +86-518-8369-2899
- para@para.com.tw



Nanjing Plant

- No.1, Tangquan W. Rd., Tangshan Ave., Jianning Dist. Nanjing City, Jiansu Province, 211131 China
- +86-25-8410-7685
- +86-25-8410-7684



USA Office

- 515 Spanish Lane, Suite # A&B, Walnut, CA 91789, USA
- +1 (877) 377-PARA / +1 (909) 468-4866
- sales@paralightusa.com
- www.paralightusa.com

Company Profile

Established in 1987
 Chairman : Mr. David Ma
 Capital : USD 37million
 No. of Employee : 1028

Founded in 1987, PARA LIGHT is now a global innovator and leader in visible and invisible LED fields. With two manufacturing plants certified with ISO 14001, ISO 9001, TS16969, and also complies with REACH and RoHS.

We offer advanced and beyond expectation R&D services based on the strongest lineup ever of 1,028 employees located in different countries and cities that includes more than 70 professional engineers, and 80 Quality Assurance squad.

About the product category, from the elementary LED component to further appli-
 ance such as UV sensor, LED back light, integrated light moudule, commercial light-
 ing, automotive lighting and any lighting solution, PARA LIGHT keeps growing and
 expanding the products diversity in response to the global industry or market trend.

Quality Certification



IATF16949



ISO9001

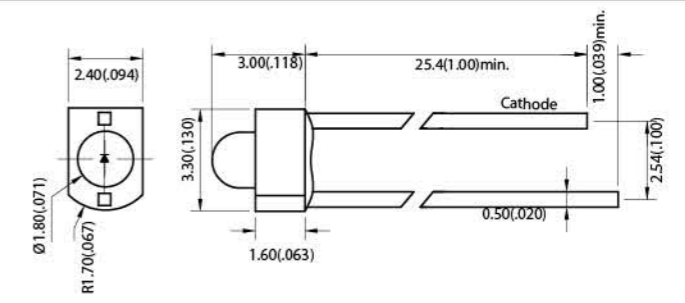


ISO14001





Tower



L204

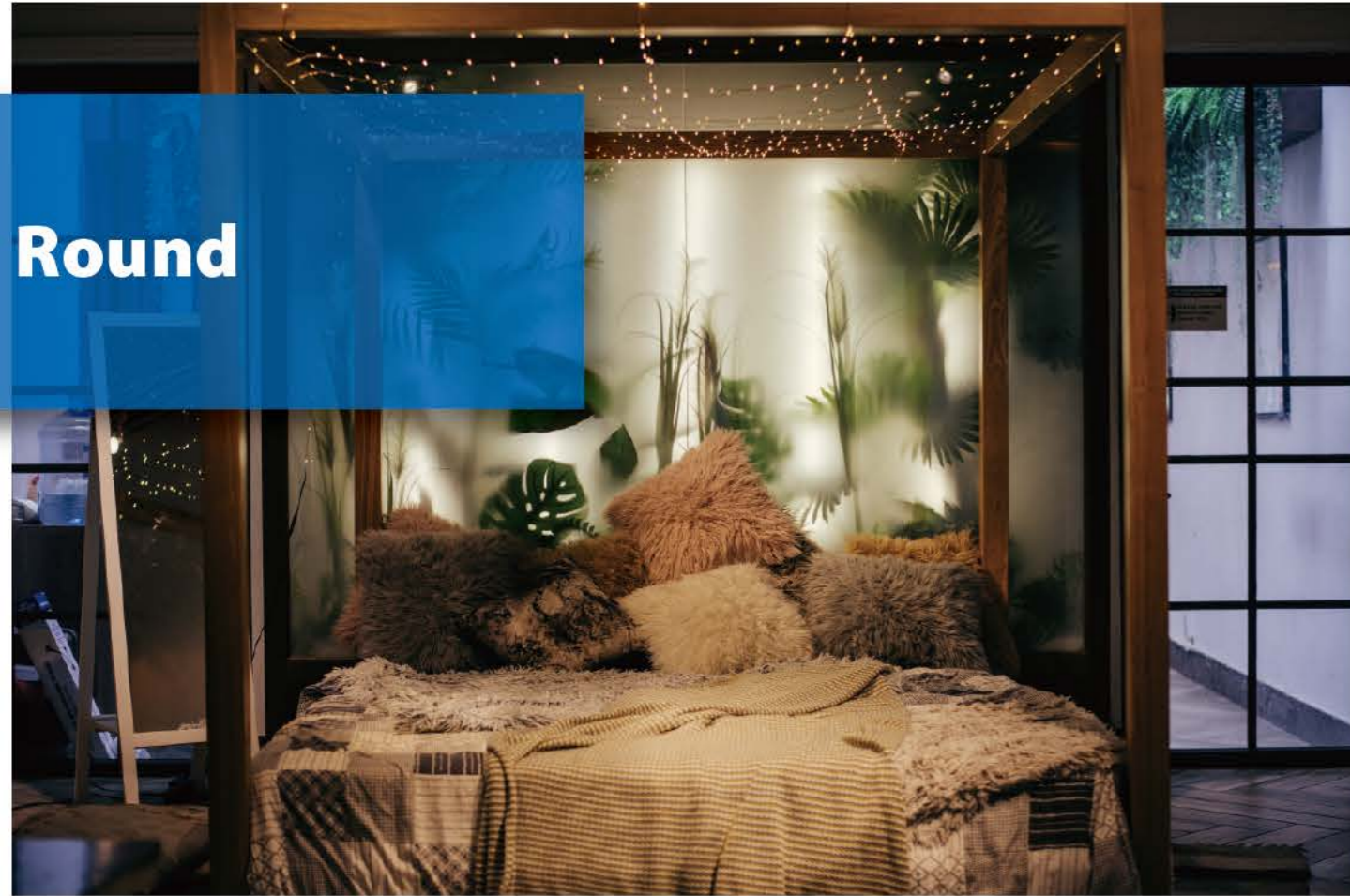
1.8 mm

Part No.	Ref. PN	Color	Wavelength λ_d (nm)/ CIE (x,y)	Resin Type	Typ. Luminous Intensity I_v (mcd)	Viewing Angle (deg.)	Typ. Forward Voltage V_F (V)	Forward Current I_F (mA)
L204G	LOR2GD078G	Yellow Green	570	Green Diffused	15	60	1.9	20
L204Y	LVR2YD005G	Yellow	587	Yellow Diffused	12	60	2.1	20
L204SR	LVR2SRD006G	Hyper Red	645	Red Diffused	100	60	1.9	20
L204LPG6	LRR2LPG6D117G	Green	622	Green Diffused	3000	100	3.0	20



Application

- Indicator
- IP camera
- Sign board
- IoT application
- Home appliances

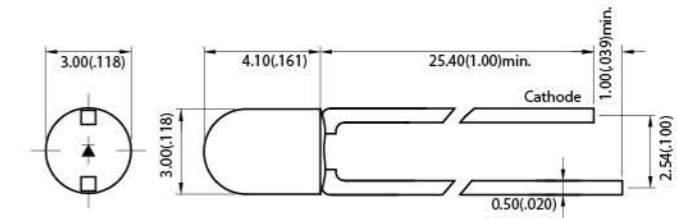


Round



Application

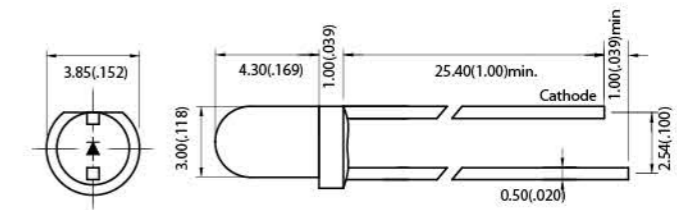
- Indicator
- IP camera
- Sign board
- IoT
- Home appliances



L304

3 mm

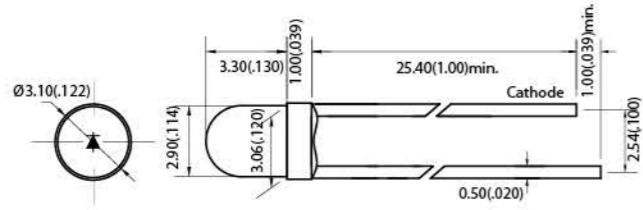
Part No.	Ref. PN	Color	Wavelength λ_d (nm)/ CIE (x,y)	Resin Type	Typ. Luminous Intensity I_v (mcd)	Viewing Angle (deg.)	Typ. Forward Voltage V_F (V)	Forward Current I_F (mA)
L304G	LQR3GD333G	Yellow Green	570	Green Diffused	18	110	1.9	20
L304Y	LVR3YD007G	Yellow	587	Yellow Diffused	25	110	2.1	20
L304E	LQR3ED334G	Super Red	622	Red Diffused	25	110	1.9	20
L304UB5	LQR3UB5D313G	Blue	462	Blue Diffused	240	100	3.0	20



L314

3 mm

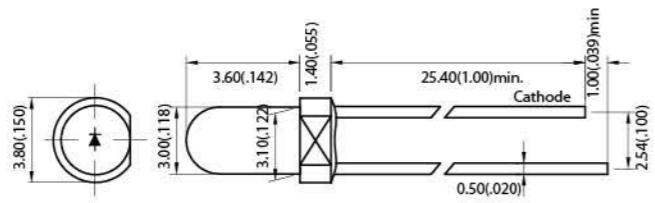
Part No.	Ref. PN	Color	Wavelength λ_d (nm)/ CIE (x,y)	Resin Type	Typ. Luminous Intensity I_v (mcd)	Viewing Angle (deg.)	Typ. Forward Voltage V_F (V)	Forward Current I_F (mA)
L314G	LLR3GD334G	Yellow Green	570	Green Diffused	20	60	1.9	20
L314E	LLR3ED199G	Super Red	630	Red Diffused	20	60	1.9	20
L314SR	LRR3SRC176G	Hyper Red	660	Water clear	115	60	1.9	20
L314UB5	LRR3UB5D224G	Blue	470	Blue Diffused	600	60	3.0	20
L314UW5	LOR3UW5C090G	White	(0.29, 0.30)	Water clear	7000	20	3.1	20



L354

3 mm

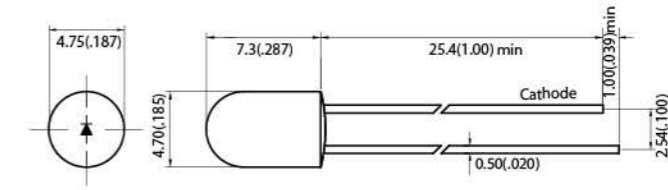
Part No.	Ref. PN	Color	Wavelength λ_d (nm)/ CIE (x,y)	Resin Type	Typ. Luminous Intensity I_v (mcd)	Viewing Angle (deg.)	Typ. Forward Voltage V_F (V)	Forward Current I_F (mA)
L354G	LPR3GD217G	Yellow Green	570	Green Diffused	20	60	1.9	20
L354Y	LVR3YD008G	Yellow	587	Yellow Diffused	15	60	2.1	20
L354E	LVR3ED009G	Red	622	Red Diffused	40	60	1.9	20
L354UB5	LKR3UB5D008G	Blue	470	Blue Diffused	450	60	3.0	20
L354LPG6	LVR3LPG6C010G	Green	530	Water clear	4000	40	3.2	20
L354UW5	LVR3UW5W011G	White	(0.30 , 0.30)	White Diffused	800	80	3.0	20



L3U4

3 mm

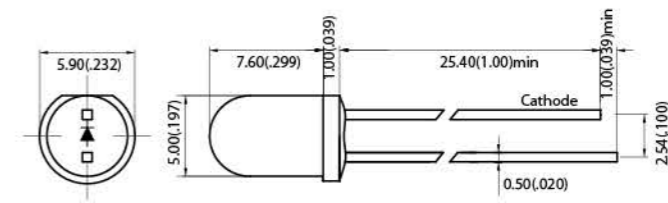
Part No.	Ref. PN	Color	Wavelength λ_d (nm)/ CIE (x,y)	Resin Type	Typ. Luminous Intensity I_v (mcd)	Viewing Angle (deg.)	Typ. Forward Voltage V_F (V)	Forward Current I_F (mA)
L3U4G	LOR3GD071G	Yellow Green	570	Green Diffused	20	60	1.9	20
L3U4Y	LOR3YD185G	Yellow	590	Yellow Diffused	88	60	2.0	20
L3U4E	LVR3ED016G	Super Red	622	Red Diffused	25	60	1.9	20
L3U4SR	LQR3SRD320G	Hyper Red	638	Red Diffused	50	60	1.9	20
L3U4UB5	LQR3UB5D292G	Blue	466	Blue Diffused	80	60	3.0	20
L3U4LPG6	LJR3LPG6C290	Green	525	Water Clear	4500	25	3.0	20
L3U4UW5	LUR3UW5W097GA	White	(0.30 , 0.32)	White Diffused	3200	30	2.8	20



L503

5 mm

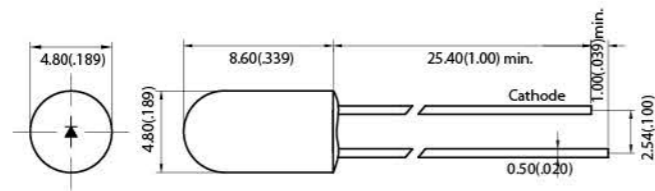
Part No.	Ref. PN	Color	Wavelength λ_d (nm)/ CIE (x,y)	Resin Type	Typ. Luminous Intensity I_v (mcd)	Viewing Angle (deg.)	Typ. Forward Voltage V_F (V)	Forward Current I_F (mA)
L503G	LVR5GD041G	Yellow Green	570	Green Diffused	20	110	2.0	20
L503E	LVR5ED040G	Super Red	622	Red Diffused	25	110	2.0	20
L503Y	LVR5YD043G	Yellow	587	Yellow Diffused	15	110	2.1	20



L513

5 mm

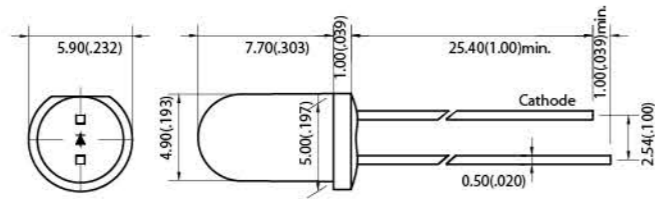
Part No.	Ref. PN	Color	Wavelength λ_d (nm)/ CIE (x,y)	Resin Type	Typ. Luminous Intensity I_v (mcd)	Viewing Angle (deg.)	Typ. Forward Voltage V_F (V)	Forward Current I_F (mA)
L513G	LMR5GD188G	Yellow Green	570	Green Diffused	80	120	1.9	20
L513Y	LMR5YD205G	Yellow	589	Yellow Diffused	50	110	1.9	20
L513E	LLR5ED221G	Super Red	622	Red Diffused	10	110	1.9	20
L513UB5	LSR5UB5C094G	Blue	464	Water Clear	5000	20	3	20
L513LPG6	LOR5LPG6C119G	Green	525	Water Clear	6000	25	3	20
L513UW5	LOR5UW5C039G	White	(0.29 , 0.30)	Water Clear	4000	30	3	20



L523

5 mm

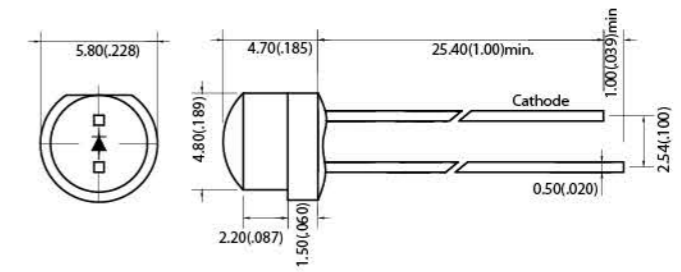
Part No.	Ref. PN	Color	Wavelength λ_d (nm)/ CIE (x,y)	Resin Type	Typ. Luminous Intensity I_v (mcd)	Viewing Angle (deg.)	Typ. Forward Voltage V_F (V)	Forward Current I_F (mA)
L523G	LVR5GD042G	Yellow Green	570	Green Diffused	14	110	2.0	20
L523Y	LVR5YD045G	Yellow	587	Yellow Diffused	15	110	2.1	20
L523E	LVR5ED044G	Super Red	622	Red Diffused	30	110	2.1	20
L523VY	LPR5VYAD443G	Yellow	590	Yellow Diffused	3500	25	2.0	20



L5T47

5 mm

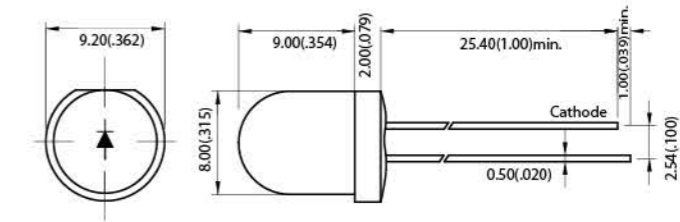
Part No.	Ref. PN	Color	Wavelength λ_d (nm)/ CIE (x,y)	Resin Type	Typ. Luminous Intensity I_v (mcd)	Viewing Angle (deg.)	Typ. Forward Voltage V_F (V)	Forward Current I_F (mA)
L5T47VEA	LLR5VEAC183G	Red	621	Water clear	5600	40	2.0	20
L5T47VYA	LQR5VYAC136G	Yellow	589	Water clear	16000	10	2.1	20
L5T47UB5	LQR5UB5C084G	Blue	465	Water clear	4000	20	3.0	20
L5T47LPG6	LQR5LPG6C422G	Green	530	Water clear	7000	30	2.9	20
L5T47UW5	LRR5UW5C187G	White	(0.47, 0.53)	Water clear	6500	15	2.9	20



L5P47

5 mm

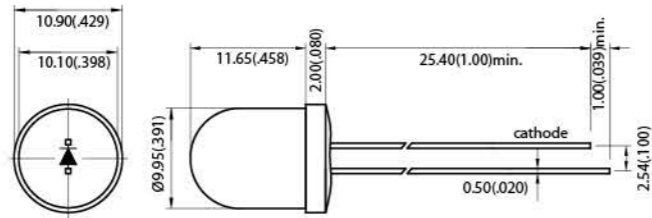
Part No.	Ref. PN	Color	Wavelength λ_d (nm)/ CIE (x,y)	Resin Type	Typ. Luminous Intensity I_v (mcd)	Viewing Angle (deg.)	Typ. Forward Voltage V_F (V)	Forward Current I_F (mA)
L5P47VE	LUR5VEAC112G	Red	620	Water clear	1650	90	2.0	20
L5P47VY	LUR5VYXC034G	Yellow	594	Water clear	1300	100	2.1	20
L5P47UB5	LUR5UB5C101G	Blue	482	Water clear	900	90	2.9	20
L5P47LPG6	LPR5LPG6C073G	Green	521	Water clear	1200	75	3	20
L5P47UW5	LSR5UW5C222G	White	(0.27, 0.26)	Water clear	1000	90	3	15



L813

8 mm

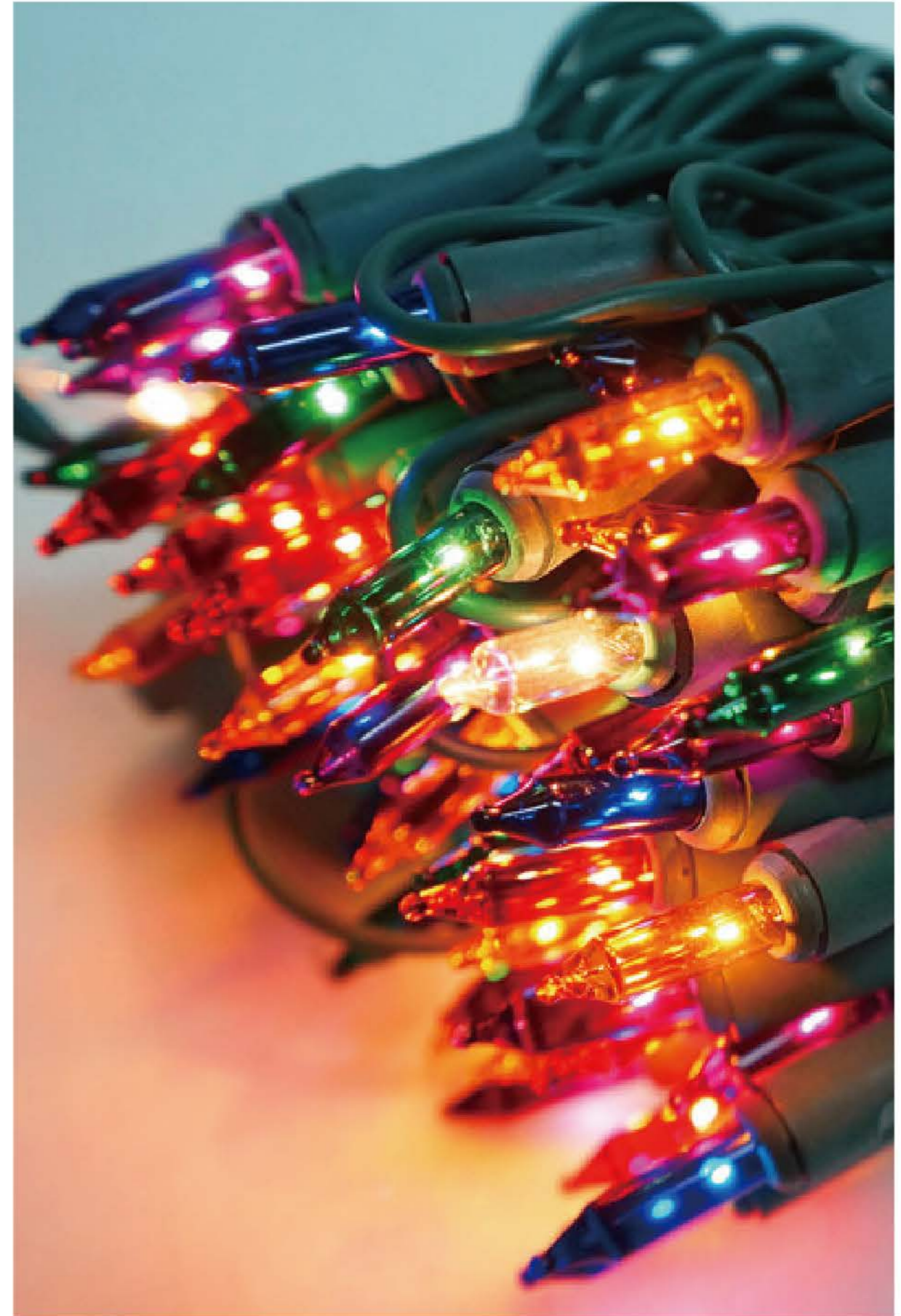
Part No.	Ref. PN	Color	Wavelength λ_d (nm)/ CIE (x,y)	Resin Type	Typ. Luminous Intensity I_v (mcd)	Viewing Angle (deg.)	Typ. Forward Voltage V_F (V)	Forward Current I_F (mA)
L813G	LKR8VG3D551	Yellow Green	570	Green Diffused	30	150	2.0	20
L813Y	LVR8YD018G	Yellow	590	Yellow Diffused	3	150	1.9	20
L813E	LRR8VED252G	Super Red	622	Red Diffused	700	40	1.9	20
L813UB5	LVR8UB5D019G	Blue	458	Blue Diffused	1000	35	3.1	20
L813LPG6	LRR8LPG6D251G	Green	522	Green Diffused	700	60	3.0	20
L813UW5	LTR8UW5C097G	White	(0.29, 0.30)	Water Clear	5000	25	3.1	20



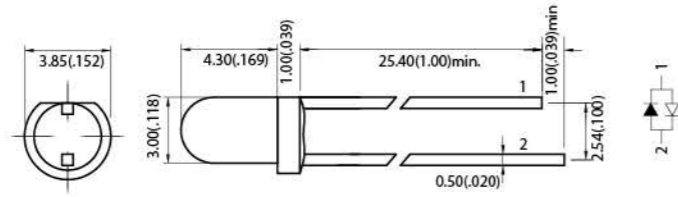
L833

10 mm

Part No.	Ref. PN	Color	Wavelength λ_d (nm)/ CIE (x,y)	Resin Type	Typ. Luminous Intensity I_v (mcd)	Viewing Angle (deg.)	Typ. Forward Voltage V_f (V)	Forward Current I_f (mA)
L833G	LVR10GD022G	Yellow Green	570	Green Diffused	5	150	1.9	20
L833Y	LQR8LY1D057G	Yellow	589	Yellow Diffused	50	150	1.9	20
L833E	LVR10ED023G	Super Red	622	Red Diffused	10	150	2.1	20
L833SR	LVR10SRD024G	Hyper Red	645	Red Diffused	15	150	2.1	20
L833UB5	LLR8UB5W059G	Blue	465	White	60	170	3.0	20
L833UW5	LPR10UW5C081G	White	(0.41, 0.39)	White Diffused	2000	30	3.0	20



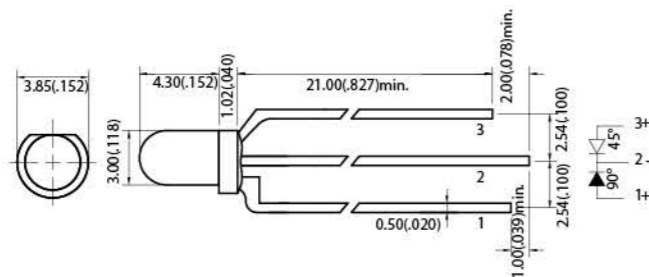
Dual Color



L317

3 mm

Part No.	Ref. PN	Color	Wavelength λ_d (nm)/ CIE (x,y)	Resin Type	Typ. Luminous Intensity I_v (mcd)	Viewing Angle (deg.)	Typ. Forward Voltage V_F (V)	Forward Current I_F (mA)
L317YG	LTR3YGW004G	Yellow Yellow Green	587 570	White Diffused	5 12	60	2.1	20
L317EG	LJR3EGW010	Super Red Yellow Green	622 570	White Diffused	90 50	40	1.9	20
L317SRG	LOR3SRVG3W006G	Hyper Red Yellow Green	640 570	White Diffused	20 18	110	1.9	20
L317UB5R	LHR3UB5HURW251	Blue Red	470 633	White Diffused	750 200	60	3.0 2.0	20

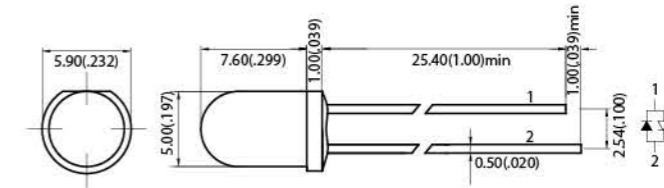


L319

3 mm

Part No.	Ref. PN	Color	Wavelength λ_d (nm)/ CIE (x,y)	Resin Type	Typ. Luminous Intensity I_v (mcd)	Viewing Angle (deg.)	Typ. Forward Voltage V_F (V)	Forward Current I_F (mA)
L319GE	LPR3GEW010G	Yellow Green Orange	570 603	White Diffused	2.5 2.5	35	1.9 2.1	20
L319YG	LSR3YGW187G	Yellow Yellow Green	587 571	White Diffused	2 3	60	2.1 1.9	20
L319SRG	LUR3SRGW027G	Super Red Yellow Green	642 572	White Diffused	20 10	60	1.9 2.2	20
L319RUB5	LPR3VEXUB5W179G	Super Red Blue	623 463	White Diffused	450 180	60	1.9 3.0	20
L319RLPG6	LTR3HURLPG6C292G	Super Red Green	629 530	Water Clear	150 2000	80	1.8 2.6	5

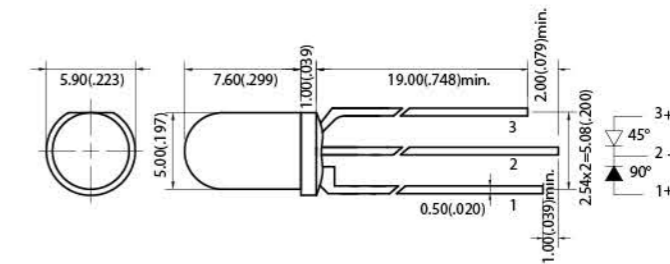
Dual Color



L517

5 mm

Part No.	Ref. PN	Color	Wavelength λ_d (nm)/ CIE (x,y)	Resin Type	Typ. Luminous Intensity I_v (mcd)	Viewing Angle (deg.)	Typ. Forward Voltage V_F (V)	Forward Current I_F (mA)
L517GG	LTR5GGD142G	Yellow Green	570	Green Diffused	4	60	1.9	20
L517GY	LHR5GY063	Yellow Green Yellow	570 587	Yellow Diffused	50 60	60	1.9	20
L517EG	LJR5EGW025G	Super Red Yellow Green	628 570	White Diffused	10 12	100	1.9	20
L517EY	LPR5EYW501G	Super Red Yellow	632 585	White Diffused	15 10	120	1.9	20

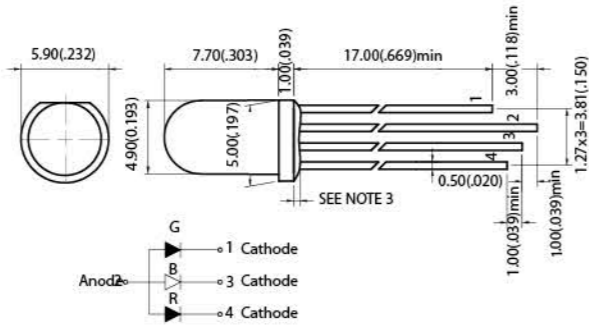


L519

5 mm

Part No.	Ref. PN	Color	Wavelength λ_d (nm)/ CIE (x,y)	Resin Type	Typ. Luminous Intensity I_v (mcd)	Viewing Angle (deg.)	Typ. Forward Voltage V_F (V)	Forward Current I_F (mA)
L519GY	LOR5GYC364G	Yellow Green Yellow	569 584	Water Clear	60 35	20	1.9 2.1	20
L519EG	LQR5EGW594G	Super Red Yellow Green	618 570	White Diffused	20 25	80	2.1 2.2	20
L519RLPG6	LTR5VEALPG6W171G	Super Red Green	620 525	White Diffused	290 920	110	2.1 2.8	20

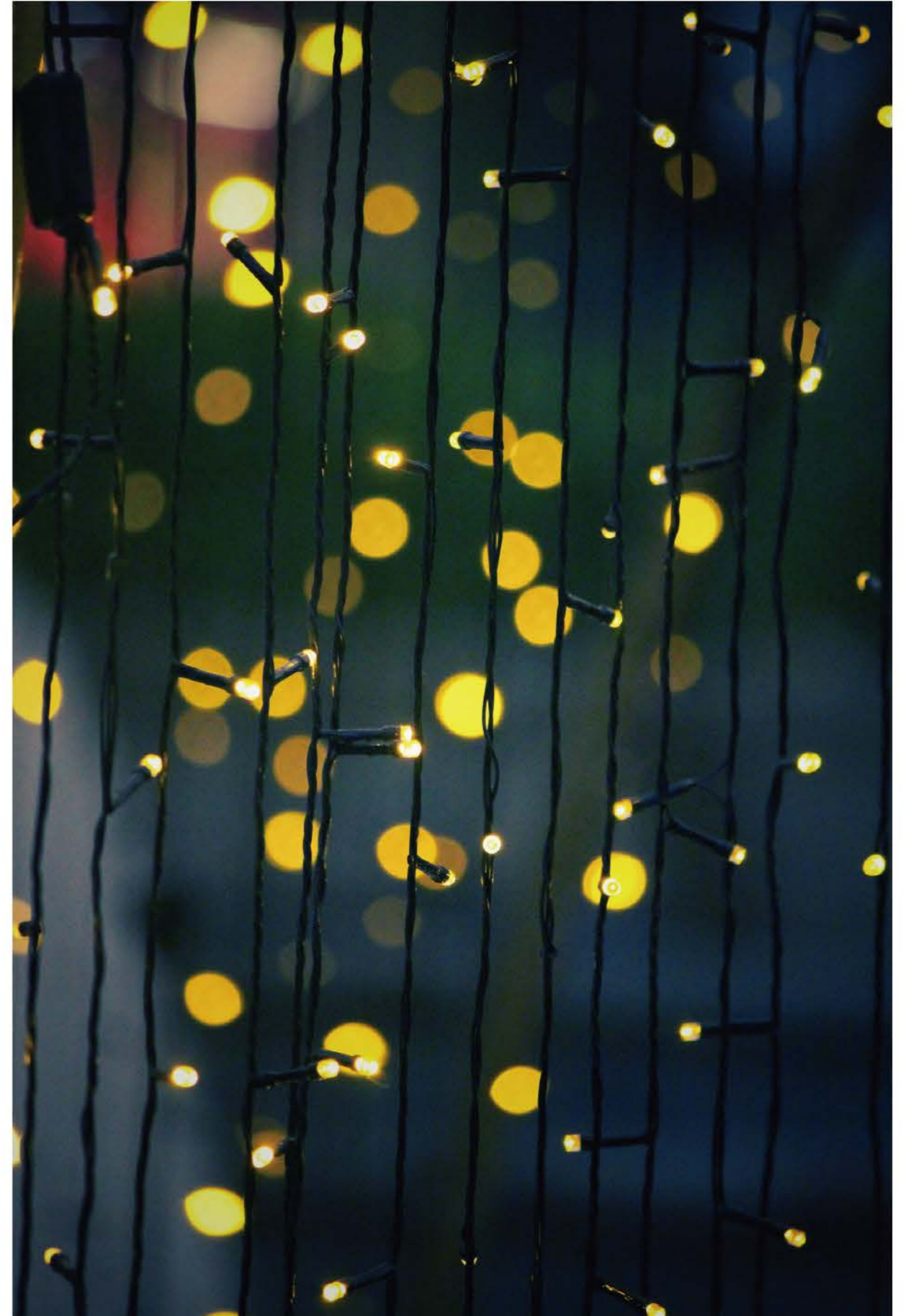
RGB



L-5T8

5 mm

Part No.	Ref. PN	Color	Wavelength λ_d (nm)/ CIE (x,y)	Resin Type	Typ. Luminous Intensity I_v (mcd)	Viewing Angle (deg.)	Typ. Forward Voltage V_F (V)	Forward Current I_F (mA)
L5T8RGB	LQR5RGBW418G	Red	628	White Diffused	600	70	2.0	20
		Green	525		1500		2.8	
		Blue	460		300		2.9	



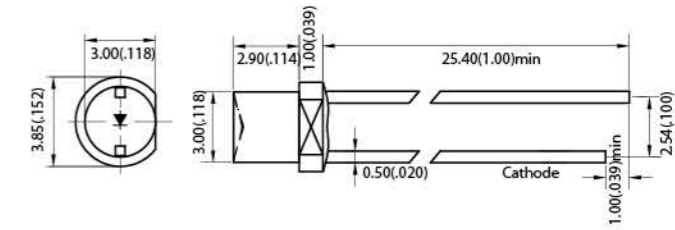


Cylindrical



Application

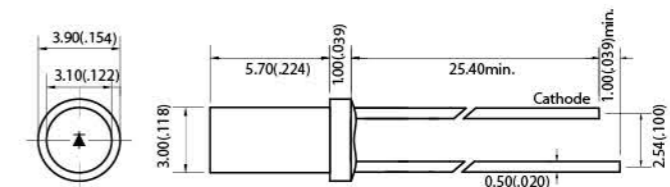
- Indicator
- IP camera
- Sign board
- IoT
- Home appliances



L334

3 mm

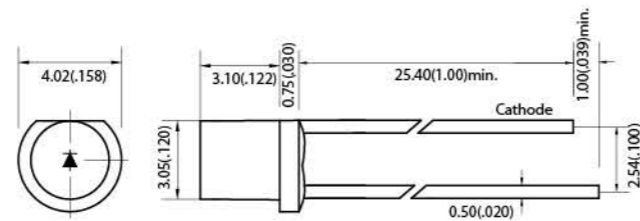
Part No.	Ref. PN	Color	Wavelength λ_d (nm)/ CIE (x,y)	Resin Type	Typ. Luminous Intensity I_v (mcd)	Viewing Angle (deg.)	Typ. Forward Voltage V_F (V)	Forward Current I_F (mA)
L334G	LJR3GD332	Yellow Green	570	Green Diffused	12	150	1.9	20
L334Y	LJR3VY5C251	Yellow	590	Water Clear	300	120	1.9	20
L334E	LUR3VEXC070G	Super Red	620	Water Clear	250	150	2.1	20
L334UB5	LNR3UB5C012G	Blue	470	Water Clear	280	120	3.0	20
L334LPG6	LVR3LPG6C029G	Green	520	Water Clear	600	115	3.0	20
L334UW5	LQR3UW5C288G	White	(0.27, 0.25)	Water Clear	290	130	3.2	20



L3N4

3 mm

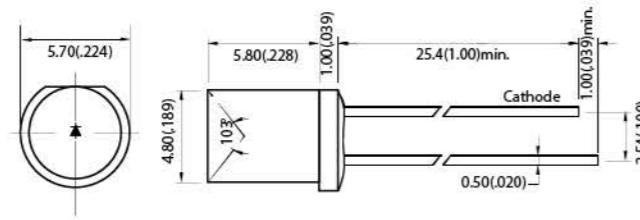
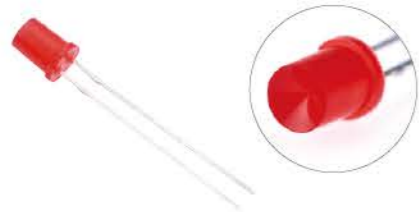
Part No.	Ref. PN	Color	Wavelength λ_d (nm)/ CIE (x,y)	Resin Type	Typ. Luminous Intensity I_v (mcd)	Viewing Angle (deg.)	Typ. Forward Voltage V_F (V)	Forward Current I_F (mA)
L3N4G	LNR3GD137G	Yellow Green	570	Green Diffused	6	150	1.9	20
L3N4Y	LPR3YC051G	Yellow	586	Yellow Diffused	20	60	2.1	20
L3N4SR	LPR3SRC053G	Hyper Red	636	Water Clear	55	40	2.1	20
L3N4UB5	LLR3UB5D012G	Blue	465	Blue Diffused	360	150	3.0	20



L6V4

3 mm

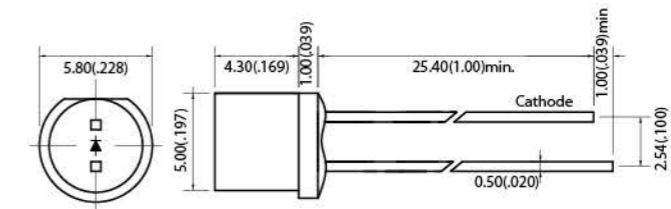
Part No.	Ref. PN	Color	Wavelength λ_d (nm)/ CIE (x,y)	Resin Type	Typ. Luminous Intensity I_v (mcd)	Viewing Angle (deg.)	Typ. Forward Voltage V_F (V)	Forward Current I_F (mA)
L6V4G	LLR3VG3T207G	Yellow Green	570	GREEN TRANSPARENT	50	110	2.1	20
L6V4Y	LQR3LY4C037G	Yellow	590	Water Clear	160	140	1.9	20
L6V4E	LQR3LESC038G	Super Red	620	Water Clear	150	140	2.0	20
L6V4UB5	LRR3UB5D219G	Blue	465	Blue Diffused	220	110	3.0	20
L6V4UW5	LQR3UW5C036G	White	(0.27,0.26)	White Diffused	700	140	3.0	20



L553

5 mm

Part No.	Ref. PN	Color	Wavelength λ_d (nm)/ CIE (x,y)	Resin Type	Typ. Luminous Intensity I_v (mcd)	Viewing Angle (deg.)	Typ. Forward Voltage V_F (V)	Forward Current I_F (mA)
L553G	LPR5VG3D225G	Yellow Green	570	Green Diffused	10	110	1.9	20
L553Y	LPR5LY1D226G	Yellow	589	Yellow Diffused	10	110	1.9	20
L553E	LPR5LR1D224G	Super Red	628	Red Diffused	10	110	1.9	20
L553UB5	LVR5UB5C031G	Blue	460	Water Clear	400	30	3.0	20
L553LPG6	LVR5LPG6C030G	Green	525	Water Clear	350	120	3.0	20
L553UW5	LQR5UW5C285G	White	(0.27, 0.25)	Water Clear	180	150	3.0	20



L5N3

5 mm

Part No.	Ref. PN	Color	Wavelength λ_d (nm)/ CIE (x,y)	Resin Type	Typ. Luminous Intensity I_v (mcd)	Viewing Angle (deg.)	Typ. Forward Voltage V_F (V)	Forward Current I_F (mA)
L5N3G	LSR5GW240G	Yellow Green	573	White Diffused	10	140	1.9	20
L5N3Y	LQR5VYAC159G	Yellow	590	Water Clear	850	85	1.9	20
L5N3SR	LTR5SRW075G	Hyper Red	638	White Diffused	25	140	1.9	20
L5N3UB5	LOR5UB5C111G	Blue	465	Water Clear	4000	80	3.0	20
L5N3LPG6	LSR5LPG6D241G	Green	523	Green Diffused	900	140	3.1	20
L5N3UW5	LRR5UW5C193G	White	(0.28,0.27)	White Diffused	1000	100	3.0	20



Rectangular



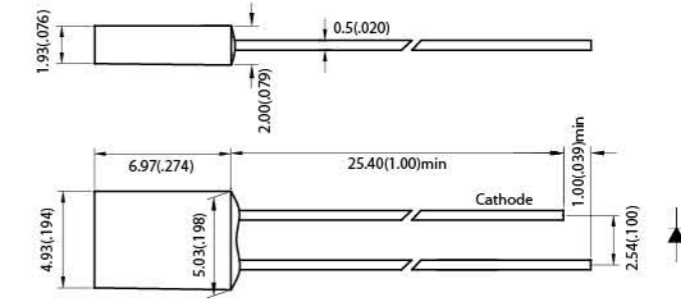
Application

- Indicator
- IP camera
- Sign board
- IoT
- Home appliances



L403

2x5x7 mm

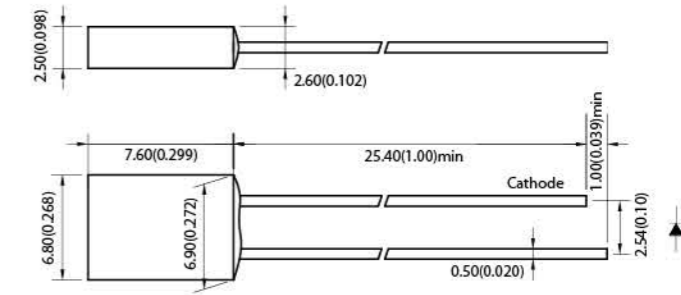


Part No.	Part No.	Color	Wavelength λ_d (nm)/ CIE (x,y)	Resin Type	Typ. Luminous Intensity I_v (mcd)	Viewing Angle (deg.)	Typ. Forward Voltage V_F (V)	Forward Current I_F (mA)
L403G	LTS5GD005G	Yellow Green	570	Green Diffused	20	60	2.1	20
L403Y	LMS5YD181G	Yellow	587	Yellow Diffused	26	150	1.9	20
L403E	LVS4ED034G	Super Red	635	Red Diffused	12	120	1.9	20
L403SR	LVS4SRD035G	Hyper Red	645	Red Diffused	40	120	1.9	20
L403UB5	LQS4UB5D491G	Blue	464	Blue Diffused	66	110	3.0	20
L403LPG6	LQS4LPG6D402G	Green	528	Green Diffused	230	110	3.0	20



L423

2.5x7.0x7.5 mm

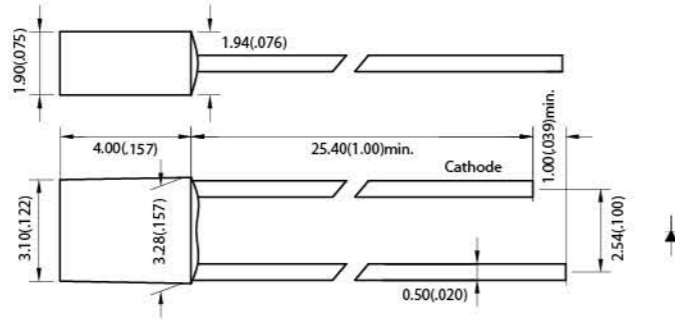


Part No.	Part No.	Color	Wavelength λ_d (nm)/ CIE (x,y)	Resin Type	Typ. Luminous Intensity I_v (mcd)	Viewing Angle (deg.)	Typ. Forward Voltage V_F (V)	Forward Current I_F (mA)
L423G	LVS7GD038G	Yellow Green	570	Green Diffused	4	120	1.9	20
L423Y	LVS7VYD036G	Yellow	590	Yellow Diffused	50	80	2.0	20
L423E	LVS7ED039G	Super Red	623	Red Diffused	6	120	2.1	20
L423SR	LVS7SRD037G	Hyper Red	640	Red Diffused	11	80	1.9	20
L423UB5	LTS7UB5C103G	Blue	465	Blue Diffused	400	80	3.0	20
L423LPG6	LLS7LPG6D210G	Green	525	Green Diffused	175	150	3.0	20



L604

1.9x3.1x4.0 mm



Part No.	Part No.	Color	Wavelength λ_d (nm)/ CIE (x,y)	Resin Type	Typ. Luminous Intensity I_v (mcd)	Viewing Angle (deg.)	Typ. Forward Voltage V_F (V)	Forward Current I_F (mA)
L604G	LPS3GD127G	Yellow Green	569	Green Diffused	10	60	2.1	20
L604Y	LOS3LY3C188G	Yellow	589	Water Clear	70	60	2.1	20
L604E	LSS3VEC090G	Super Red	623	Red Diffused	460	120	2.0	20
L604SR	LPS2SRT162G	Hyper Red	639	Red Transparent	50	40	1.9	20
L604UB5	LVS3UB5C049G	Blue	470	Blue Diffused	300	120	3.0	20
L604SR	LTS3LPG6T098G	Green	525	Green Transparent	300	120	3.0	20
L604UB5	LQS3UW5C336G	White	(0.30,0.30)	Water Clear	350	160	3.0	20

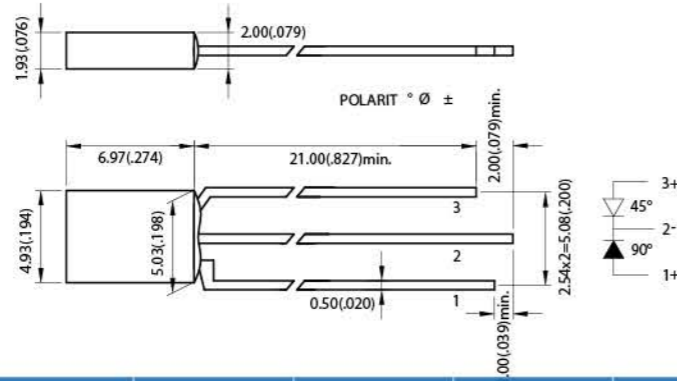


Dual Color



L409

2x5x7 mm

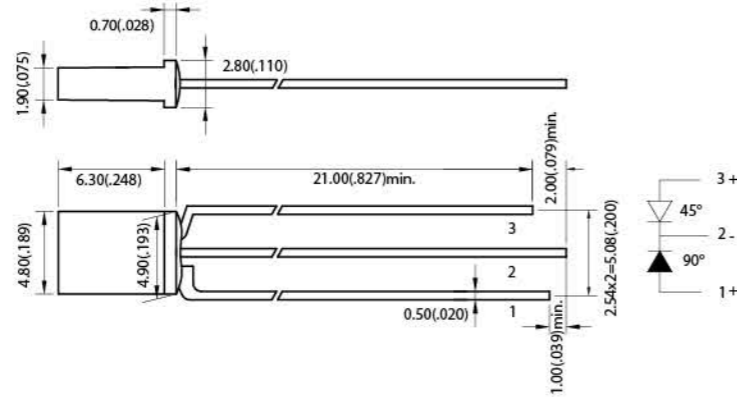


Part No.	Part No.	Color	Wavelength λ_d (nm)/ CIE (x,y)	Resin Type	Typ. Luminous Intensity I_v (mcd)	Viewing Angle (deg.)	Typ. Forward Voltage V_F (V)	Forward Current I_F (mA)
L409EG	LUS4EGW066G	● Super Red	635	White Diffused	10	120	2.0	20
		● Yellow Green	573		3		2.2	
L409GY	LVS4GYW050G	● Yellow Green	570	White Diffused	10	120	2.2	20
		● Yellow	586		3		2.1	
L409UB5HUR	LOS4UB5HURW297G	● Blue	465	White Diffused	50	120	3.0	20
		● Super Red	623		50		1.9	



L419

2x5x7 mm



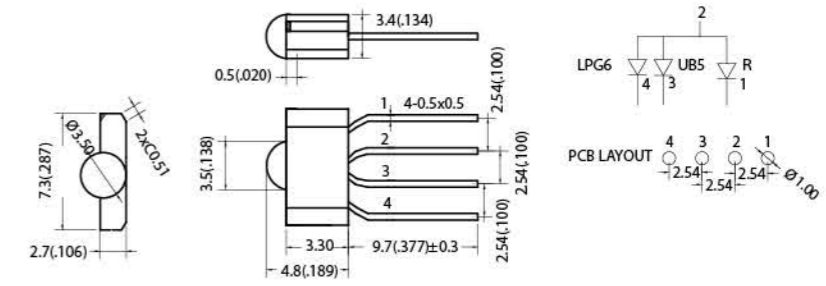
Part No.	Part No.	Color	Wavelength λ_d (nm)/ CIE (x,y)	Resin Type	Typ. Luminous Intensity I_v (mcd)	Viewing Angle (deg.)	Typ. Forward Voltage V_F (V)	Forward Current I_F (mA)
L419YG	LRS4YGW263G	● Yellow	590	White Diffused	5	120	2.1	20
		● Yellow Green	572		5		1.9	
L419EG	LPS4EGW030G	● Super Red	618	White Diffused	4	170	2.1	20
		● Yellow Green	569		5		1.2	
L419RUB5	LRS6VEUB5W277G	● Super Red	620	White Diffused	70	95	1.9	20
		● Blue	461		54		3.0	
L419RLPG6	LLS5HURLPG6W304G	● Super Red	627	White Diffused	50	120	1.9	20
		● Green	525		220		3.2	

RGB



L889

3.5x4.8x7.3 mm



Part No.	Part No.	Color	Wavelength λ_d (nm)/ CIE (x,y)	Resin Type	Typ. Luminous Intensity I_v (mcd)	Viewing Angle (deg.)	Typ. Forward Voltage V_F (V)	Forward Current I_F (mA)
L889RGB	LQS8RGBW538G	● Super Red	628	White Diffused	40	65	1.9	5
		● Green	530		250		2.9	
		● Blue	470		40		2.9	



Application

- Indicator
- IP camera
- Sign board
- IoT
- Home appliances



Part No.	H
L-314XX-TBS 180	18.0mm
L-314XX-TBS 190	19.0mm
L-314XX-TBS 200	20.0mm
L-314XX-TBS 220	22.0mm
L-314XX-TBS 240	24.0mm

L-314-TBSH

3 mm

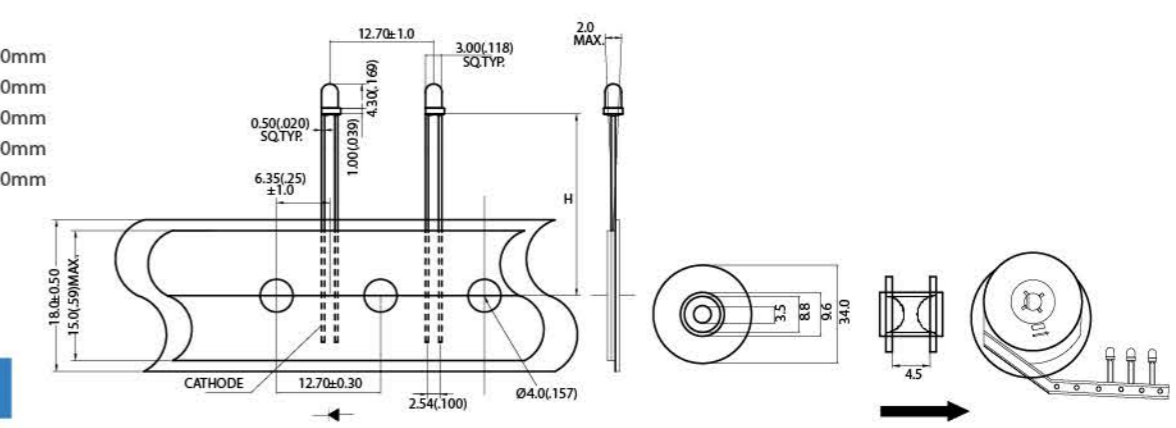
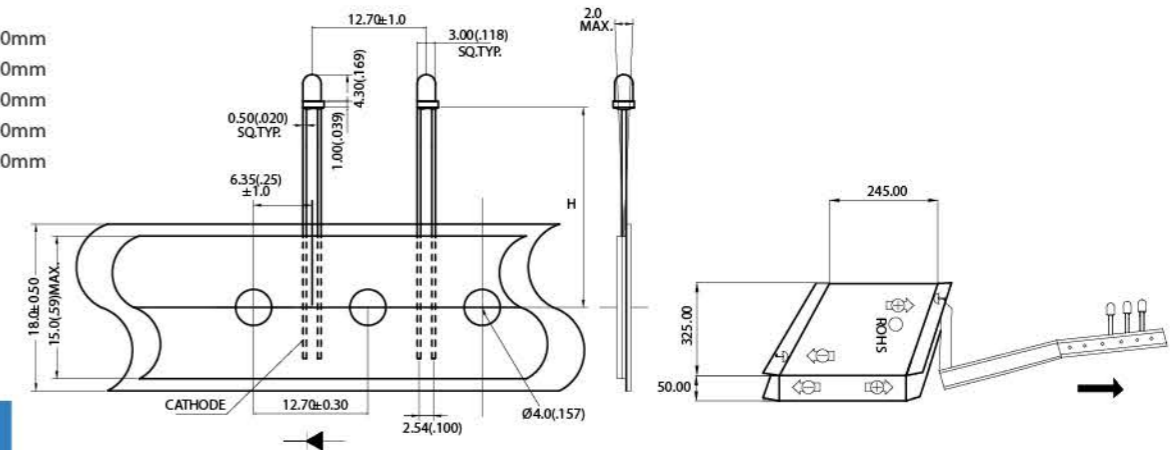
Part No.	Part No.	Color	Wavelength λ_d (nm)/ CIE (x,y)	Resin Type	Typ. Luminous Intensity I_v (mcd)	Viewing Angle (deg.)	Typ. Forward Voltage V_F (V)	Forward Current I_F (mA)
L-314UB5C-TBSH	LJR3UB5C738	Blue	465	Water Clear	2000	20	3	20
L-314LPG6C-TBSH	LJR3LPG6C983	Green	525	Water Clear	5000	20	3	20
L-314GD-TBSH	LJR3GD742	Yellow Green	570	Green Diffused	30	60	1.9	20
L-314YD-TBSH	LJR3YD741	Yellow	587	Yellow Diffused	20	60	2.1	20
L-314ED-TBSH	LJR3ED740	Super Red	628	Red Diffused	30	60	1.9	20

Part No.	H
L-314XX-TRS 180	18.0mm
L-314XX-TRS 190	19.0mm
L-314XX-TRS 200	20.0mm
L-314XX-TRS 220	22.0mm
L-314XX-TRS 240	24.0mm

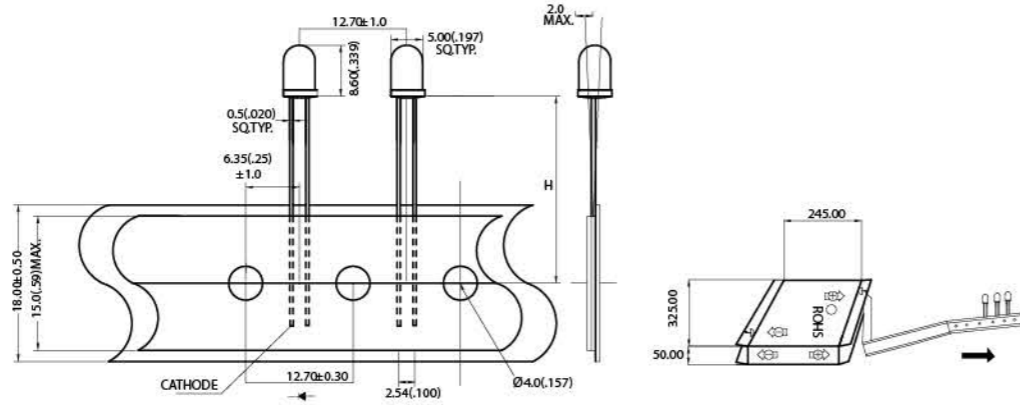
L-314-TRSH

3 mm

Part No.	Part No.	Color	Wavelength λ_d (nm)/ CIE (x,y)	Resin Type	Typ. Luminous Intensity I_v (mcd)	Viewing Angle (deg.)	Typ. Forward Voltage V_F (V)	Forward Current I_F (mA)
L-314UB5C-TRSH	LJR3UB5C733	Blue	465	Water Clear	2000	20	3	20
L-314LPG6C-TRSH	LJR3LPG6C738	Green	525	Water Clear	5000	20	3	20
L-314GD-TRSH	LJR3GD737	Yellow Green	570	Green Diffused	30	60	1.9	20
L-314YD-TRSH	LJR3YD736	Yellow	587	Yellow Diffused	20	60	2.1	20
L-314ED-TRSH	LJR3ED735	Super Red	628	Red Diffused	30	60	1.9	20



Part No.	H
L-513XX-TBS 180	18.0mm
L-513XX-TBS 190	19.0mm
L-513XX-TBS 200	20.0mm
L-513XX-TBS 220	22.0mm
L-513XX-TBS 240	24.0mm

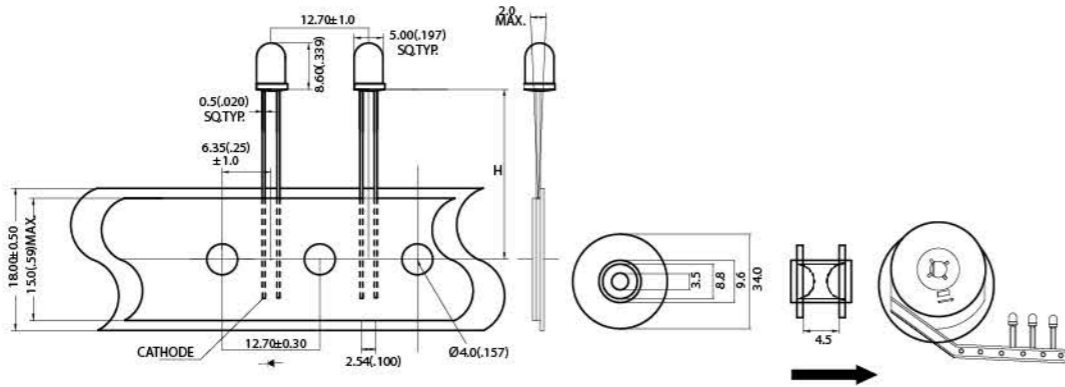


L-513-TBSH

5 mm

Part No.	Part No.	Color	Wavelength λd(nm)/ CIE (x,y)	Resin Type	Typ. Luminous Intensity I _v (mcd)	Viewing Angle (deg.)	Typ. Forward Voltage V _F (V)	Forward Current I _F (mA)
L-513GD-TBSH	LJR5GD731	Yellow Green	570	Green Diffused	20	110	2	20
L-513YD-TBSH	LJR5YD730	Yellow	587	Yellow Clear	15	110	2.1	20
L-513ED-E610-TBSH	LJR5AD732	Orange	605	Orange Diffused	20	110	2.1	20
L-513ED-TBSH	LJR5ED729	Super Red	628	Red Diffused	20	110	2.1	20
L-513SRD-TBSH	LJR5SRD728	Hyper Red	640	Red Diffused	40	110	1.8	20

Part No.	H
L-513XX-TRS 180	18.0mm
L-513XX-TRS 190	19.0mm
L-513XX-TRS 200	20.0mm
L-513XX-TRS 220	22.0mm
L-513XX-TRS 240	24.0mm

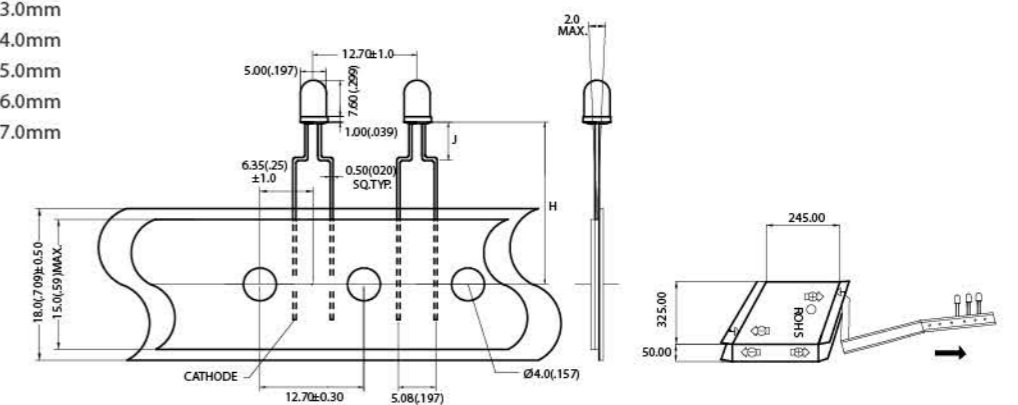


L-513-TRSH

3 mm

Part No.	Part No.	Color	Wavelength λd(nm)/ CIE (x,y)	Resin Type	Typ. Luminous Intensity I _v (mcd)	Viewing Angle (deg.)	Typ. Forward Voltage V _F (V)	Forward Current I _F (mA)
L-513UB5C-TRSH	LJR5GD726	Yellow Green	570	Green Diffused	28	60	1.9	20
L-513LPG6C-TRSH	LJR5YD725	Yellow	587	Yellow Clear	35	60	2.1	20
L-513GD-TRSH	LJR5AD727	Orange	605	Orange Diffused	15	60	2.1	20
L-513YD-TRSH	LJR5ED724	Super Red	628	Red Diffused	30	60	1.9	20
L-513ED-TRSH	LJR5SRD723	Hyper Red	640	Red Diffused	40	60	1.9	20

Part No.	H	J
L-513XX-TBF 180A	18.0mm	3.0mm
L-513XX-TBF 190B	19.0mm	4.0mm
L-513XX-TBF 200C	20.0mm	5.0mm
L-513XX-TBF 220D	22.0mm	6.0mm
L-513XX-TBF 240E	24.0mm	7.0mm

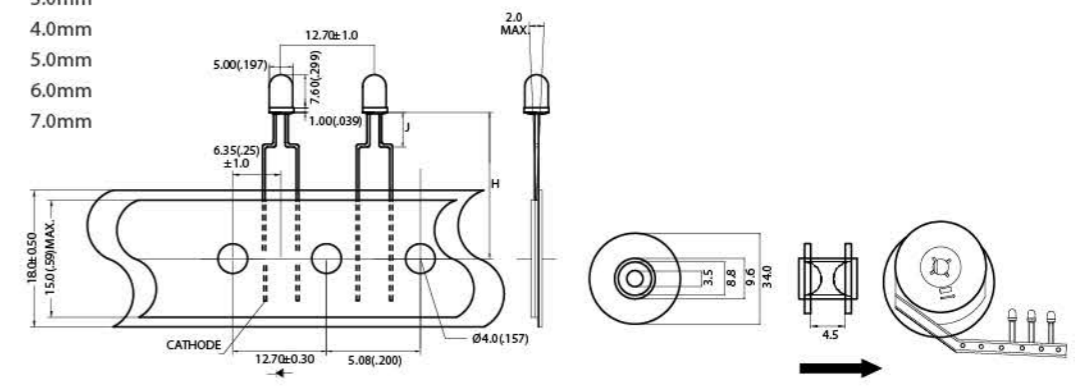


L-513-TBFHJ

5 mm

Part No.	Part No.	Color	Wavelength λd(nm)/ CIE (x,y)	Resin Type	Typ. Luminous Intensity I _v (mcd)	Viewing Angle (deg.)	Typ. Forward Voltage V _F (V)	Forward Current I _F (mA)
L-513GD-TBFHJ	LJR5GD721	Yellow Green	570	Green Diffused	28	60	1.9	20
L-513YD-TBFHJ	LJR5YD720	Yellow	587	Yellow Diffused	35	60	2.1	20
L-513AD-TBFHJ	LJR5AD722	Orange	605	Orange Diffused	15	60	2.1	20
L-513ED-TBFHJ	LJR5ED719	Super Red	628	Red Diffused	30	60	1.9	20
L-513SRD-TBFHJ	LJR5SRD718	Hyper Red	640	Red Diffused	40	60	1.8	20

Part No.	H	J
L-513XX-TRF 180A	18.0mm	3.0mm
L-513XX-TRF 190B	19.0mm	4.0mm
L-513XX-TRF 200C	20.0mm	5.0mm
L-513XX-TRF 220D	22.0mm	6.0mm
L-513XX-TRF 240E	24.0mm	7.0mm



L-513-TRFHJ

3 mm

Part No.	Part No.	Color	Wavelength λd(nm)/ CIE (x,y)	Resin Type	Typ. Luminous Intensity I _v (mcd)	Viewing Angle (deg.)	Typ. Forward Voltage V _F (V)	Forward Current I _F (mA)
L-513GD-TRFHJ	LJR5GD716	Yellow Green	570	Green Diffused	28	60	2.0	20
L-513YD-TRFHJ	LJR5YD715	Yellow	587	Yellow Diffused	35	60	2.1	20
L-513AD-TRFHJ	LJR5AD717	Orange	605	Orange Diffused	15	60	2.1	20
L-513ED-TRFHJ	LJR5ED714	Super Red	628	Red Diffused	30	60	1.9	20
L-513SRD-TRFHJ	LJR5SRD713	Hyper Red	640	Red Diffused	40	60	1.9	20

► Headquarters

光鼎電子股份有限公司
Para Light Electronics Co., Ltd.

新北市中和區建康路8號11樓
11F, No. 8, Jiankang Rd., Zhonghe Dist. New Taipei City, 23586 Taiwan
T+886-2-2225-3733
F+886-2-2225-4800
para@para.com.tw
www.para.com.tw

► Factory

連雲港光鼎電子有限公司
Para Light Lianyungang Electronics Co., Ltd.

中国江苏省连云港市灌南县经济开发区威海路8号
No.8, Wei Hai Rd., Guannan Economics Deveopment Zone,
Lianyungang City, Jiangsu Province, 223500, China
T+86-518-8369-2888
F+86-518-8369-2899
para@para.com.tw

南京華鼎電子有限公司
Para Light Nanjing Electronics Co., Ltd.

中国江苏省南京市江宁区汤山街汤泉西路1号
No.1, Tanguan W. Rd., Tangshan Ave., Jianning Dist. Nanjing City,
Jiansu Province, 211131 China
T+86-25-8410-7685
F+86-25-8410-7684

仰光緬甸
Para Light Yangon (Myanmar)

Shwe Lin Pan Industrial area, Yangon City, Myanmar

► America

美國光鼎分公司
Para Light Corp. USA

515 Spanish Lane, Suite # A&B, Walnut, CA 91789, USA
T+1 (877) 377-PARA / T+1 (909) 468-4866
sales@paralightusa.com
www.paralightusa.com

► India

印度分公司
PARA LIGHT INDIA PVT. LTD.

No.979, 9th Floor, Aggarwal Cyber Plaza-2,
Netaji Subhash Place, Pitampura, New Delhi- 110034, India
T+011-41086226
abhinav.jha@para.com.tw

► Greater China-Sales Team

North China : Beijing, Qingdao
East China : Shanghai, Ningbo, Suzhou, Nanjing, Hefei, Wuhan, Zhengzhou
South: Shenzhen, Xiamen, Jiangmen
Central : Chengdu

蘇州光鼎電子有限公司 East China
Para Light (SUZHOU) Electronics Co., Ltd.

苏州新区狮山路199号新地中心2104室
Room 2104, Xindi Center Building, No.199, Shishan Road
Suzhou City, Jiangsu Province, 215011 China
T+86-133-6527-0527
F+86-512-6809-7669
jeremy@para-lyg.com.cn

光鼎深圳實業有限公司 South China
Para Light (SHENZHEN) Electronics Co., Ltd.

中国深圳市龙华区龙观东路57号尚美时代大厦1310-1312室
Room 1310-1312, Shangmei Times Building, No.57,
Longguan East Road, Longhua Dist., Shenzhen City,
Guangdong Province, 518110 China
T+86-189-2747-1103
eddy@paralight.com.cn

青島光鼎電子有限公司
Para Light (QINGDAO) Electronics Co., Ltd.

山东省青岛市市北区山东路168号时代国际广场12楼1204室
Room 1204, 12th Floor, Times International Plaza,
No.168 Shandong Road, Shibei District, Qingdao City,
Shandong Province, 266000 China
T+0532-85692571 / 18626429477

光鼎北京辦事處 North China
Para Light (BEIJING) Sales Office

北京市海淀区请和中街橡树湾二期
Qinghe street, oak bay Phase II building, Haiding District,
Beijing City, 100000 China
T+186-2642-9477 / 181-0107-7619
tianjin@paralight.com.cn

光鼎成都辦事處 Central China
Para Light (CHENGDU) Sales Office

四川省成都市金牛区金沙路169号-现代城1幢10层1008室
Room 1008, 10th Floor, No. 169 Xiandaicheng Building 1, Jinsha Road,
Jinniu District, Chengdu city, Sichuan Province, 610031 China
T+86-18360655305
yangfeiting@para-lyg.com.cn

► Headquarters

光鼎電子股份有限公司 Para Light Electronics Co., Ltd.

新北市中和區建康路8號11樓
11F, No. 8, Jiankang Rd., Zhonghe Dist. New Taipei City, 23586 Taiwan
T+886-2-2225-3733
F+886-2-2225-4800
para@para.com.tw
www.paralighttaiwan.com

► Factory

連雲港光鼎電子有限公司 Para Light Lianyungang Electronics Co., Ltd.

中国江苏省连云港市灌南县经济开发区海路8号
No.8, Wei Hai Rd., Guannan Economics Deveopment Zone,
Lianyungang City, Jiangsu Province, 223500, China
T+86-518-8369-2888
F+86-518-8369-2899
para@para.com.tw

南京華鼎電子有限公司 Para Light Nanjing Electronics Co., Ltd.

中国江苏省南京市江宁区汤山街汤泉西路1号
No.1, Tanguan W. Rd., Tangshan Ave., Jianning Dist. Nanjing City,
Jiansu Province, 211131 China
T+86-25-8410-7685
F+86-25-8410-7684

仰光緬甸 Para Light Yangon (Myanmar)

Shwe Lin Pan Industrial area, Yangon City, Myanmar

► America

美國光鼎分公司 Para Light Corp. USA

515 Spanish Lane, Suite # A&B, Walnut, CA 91789, USA
T+1 (877) 377-PARA / T+1 (909) 468-4866
sales@paralightusa.com
www.paralightusa.com

► India

印度分公司 PARA LIGHT INDIA PVT. LTD.

No.979, 9th Floor, Aggarwal Cyber Plaza-2,
Netaji Subhash Place, Pitampura, New Delhi- 110034, India
para@para.com.tw

► Greater China-Sales Team

North China : Beijing, Qingdao
East China : Shanghai, Ningbo, Suzhou, Nanjing, Hefei, Wuhan, Zhengzhou
South: Shenzhen, Xiamen, Jiangmen
Central : Chengdu

蘇州光鼎電子有限公司 East China Para Light (SUZHOU) Electronics Co., Ltd.

苏州新区狮山路199号新地中心2104室
Room 2104, Xindi Center Building, No.199, Shishan Road
Suzhou City, Jiangsu Province, 215011 China
T+86-133-6527-0527
F+86-512-6809-7669
jeremy@para-lyg.com.cn

光鼎深圳實業有限公司 South China Para Light (SHENZHEN) Electronics Co., Ltd.

中国深圳市龙华区龙观东路57号尚美时代大厦1310-1312室
Room 1310-1312, Shangmei Times Building, No.57,
Longguan East Road, Longhua Dist., Shenzhen City,
Guangdong Province, 518110 China
T+86-189-2747-1103
eddy@paralight.com.cn

光鼎北京辦事處 North China Para Light (BEIJING) Sales Office

北京市海淀区清和中街橡樹灣二期
Qinghe street, oak bay Phase II building, Haiding District,
Beijing City, 100000 China
T+186-2642-9477 / 181-0107-7619
tianjin@paralight.com.cn

光鼎成都辦事處 Central China Para Light (CHENGDU) Sales Office

四川省成都市金牛區金沙路169號-現代城1幢10層1008室
Room 1008, 10th Floor, No. 169 Xiandaicheng Building 1, Jinsha Road,
Jinniu District, Chengdu city, Sichuan Province, 610031 China
T+86-18360655305
yangfeiting@para-lyg.com.cn